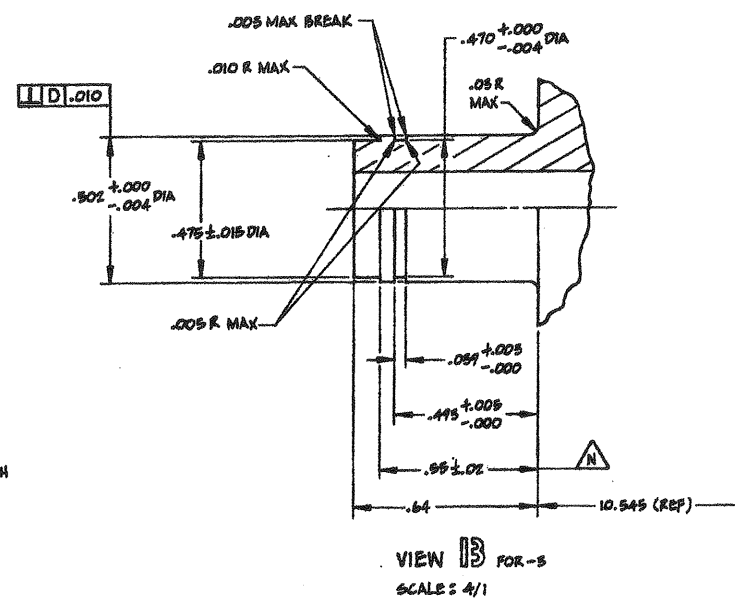
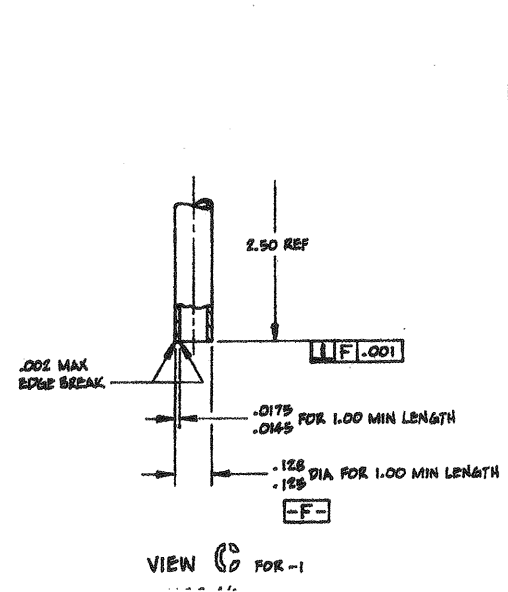
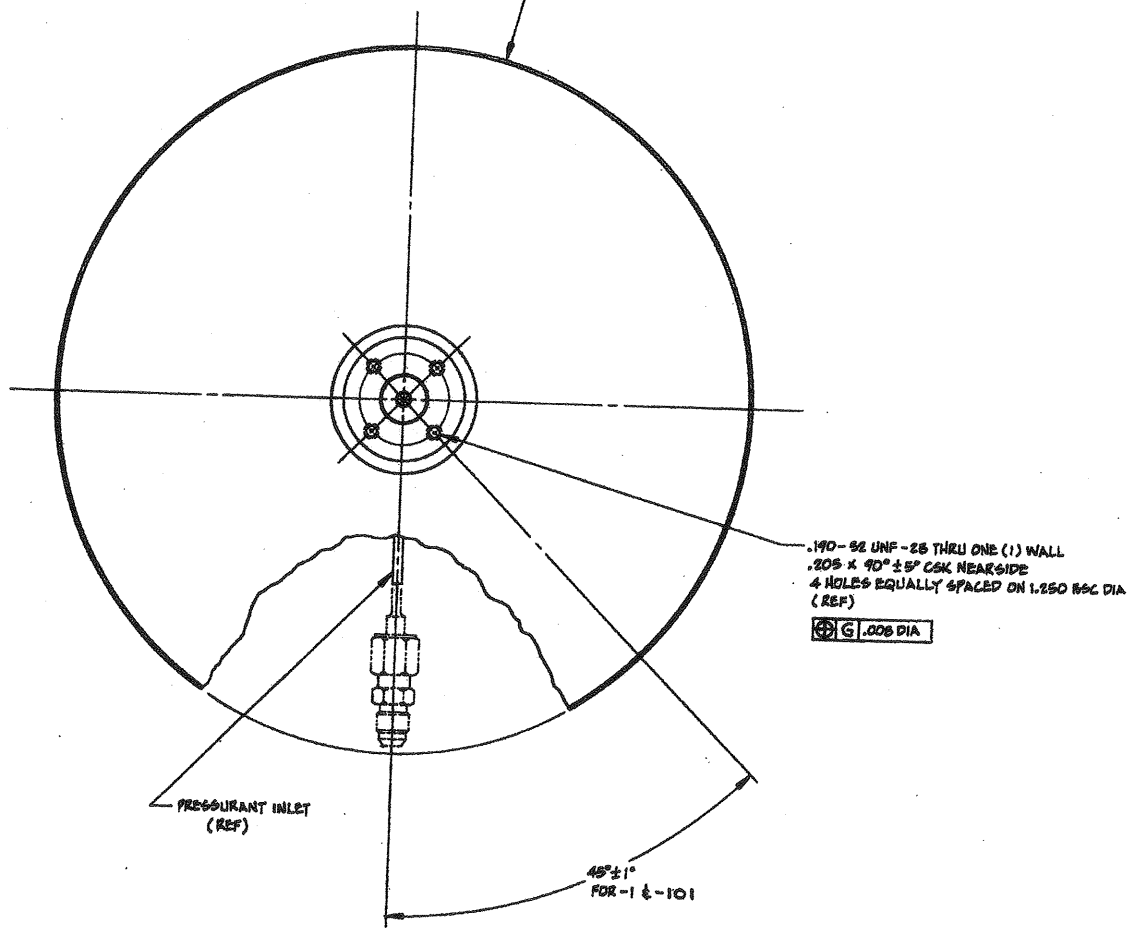
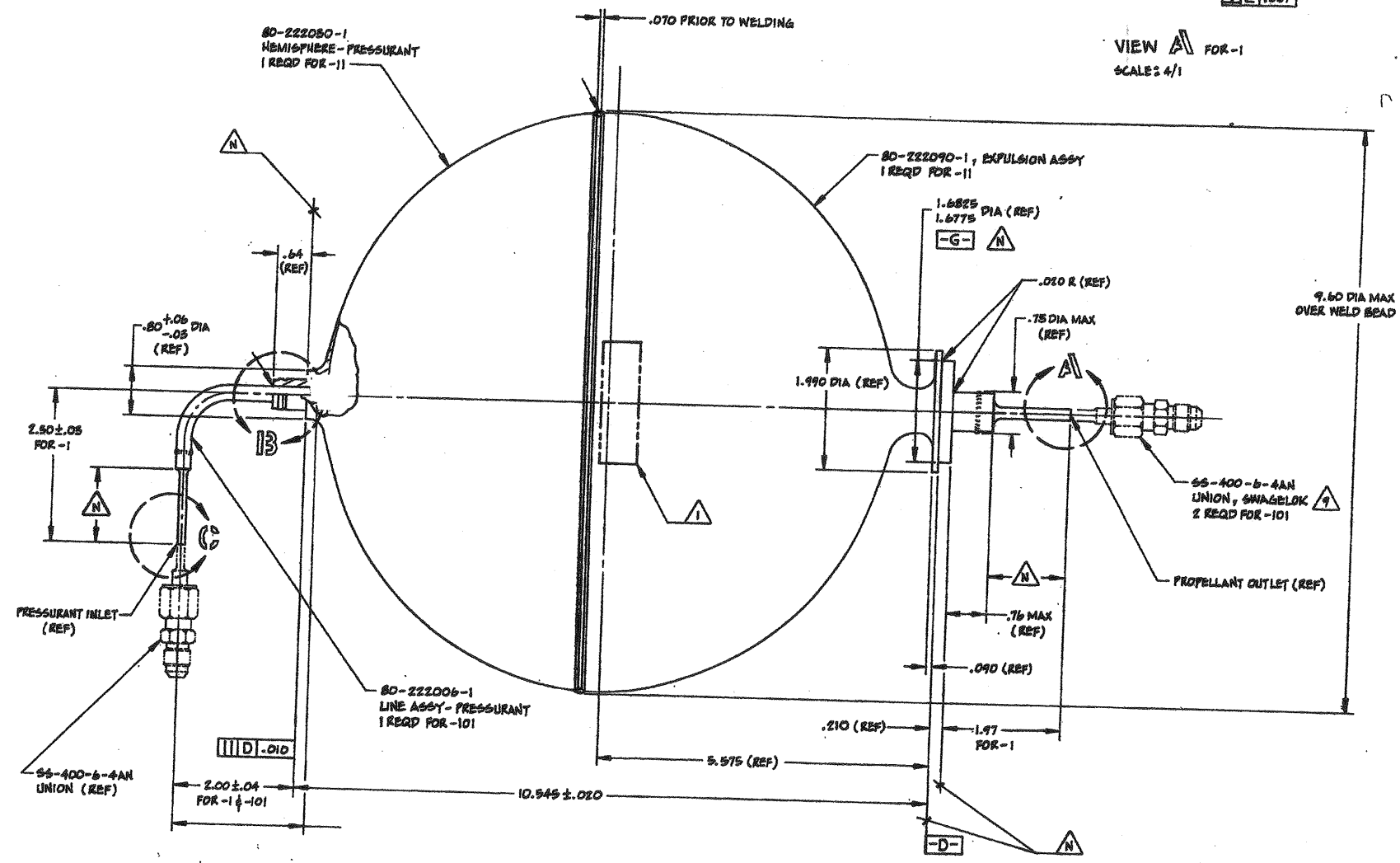


- (-1) SHELL ASSY - WELDMENT  
1 REQD FOR -3
- (-5) SHELL ASSY - MACHINED  
1 REQD FOR -101
- (-101) TANK SUBASSY  
1 REQD FOR -1



|   |              |
|---|--------------|
| ORIGINAL  |              |
| PRESSURE SYSTEMS, INC.<br>LOS ANGELES, CALIFORNIA |              |
| TANK - PROPELLANT                                 |              |
| CODE IDENT. NO.                                   | SIZE         |
| 18229   | E · 80222    |
| SCALE 1/2 NOTED                                   | SHEET 1 OF 1 |