

A SHEET 2

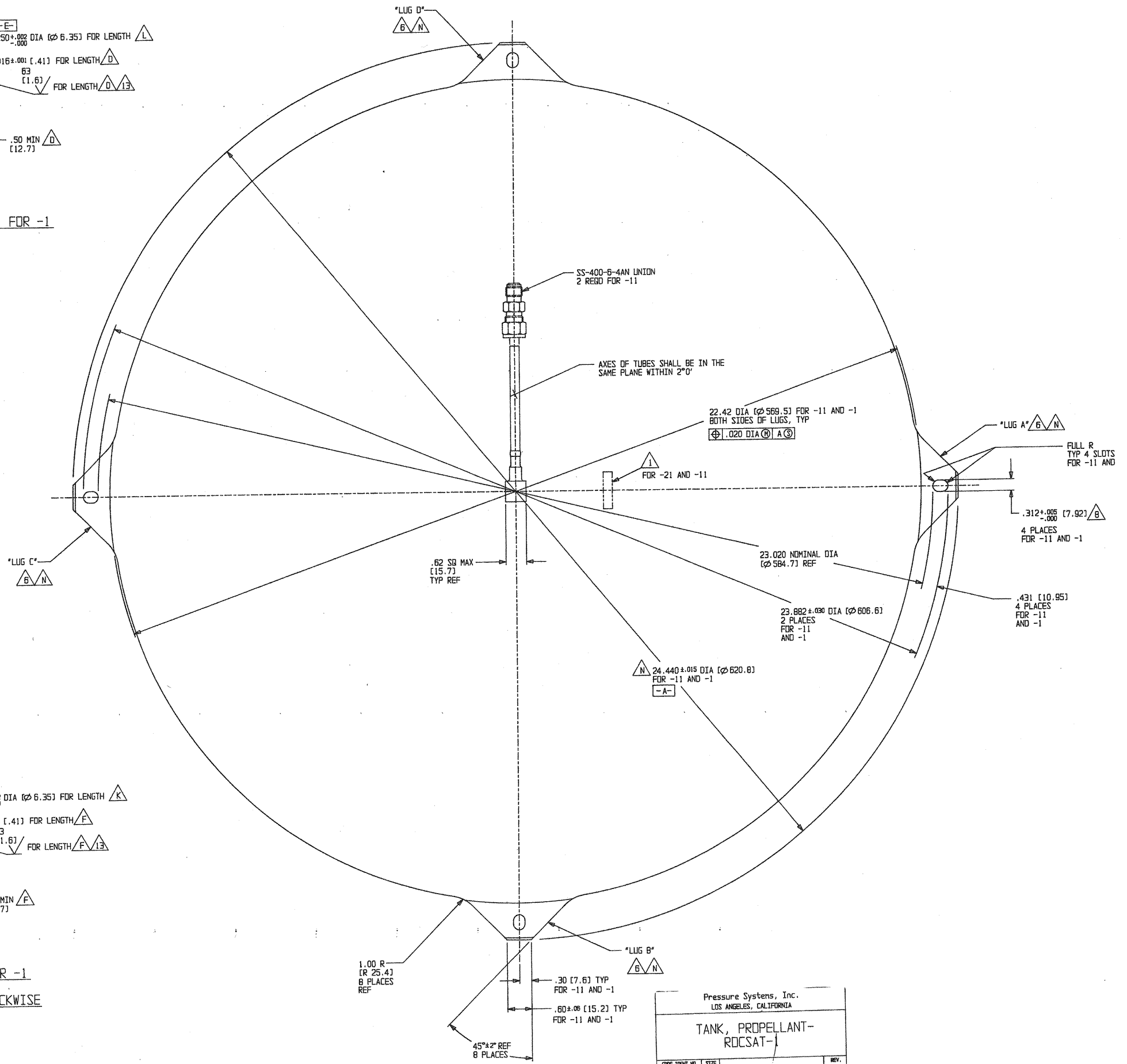
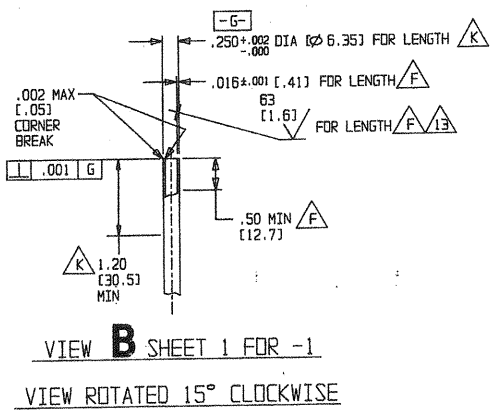
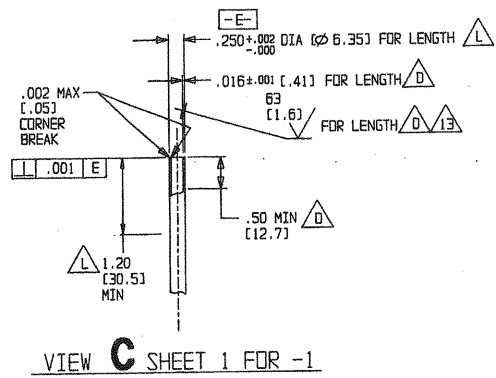
A SHEET 2

- (-21) TANK-WELDMENT  
1 REGO FOR -1
- (-11) TANK-MACHINED  
1 REGO FOR -1

THESE SURFACES OF -11 AND -1 TO BE COPLANAR WITHIN .005 TIR FOR LUGS 'A', 'B', 'C', AND 'D'

4 SURFACES FOR -11 AND -1  
4 SURFACES FOR -11 AND -1

Pressure Systems, Inc. LOS ANGELES, CALIFORNIA		
<b>TANK, PROPELLANT-ROCSAT-1</b>		
CODE IDENT NO. 18229	SIZE E	REV. 80385 NC



Pressure Systems, Inc. LOS ANGELES, CALIFORNIA			
TANK, PROPELLANT- ROCSAT-1			
CODE IDENT NO. 18229	SIZE E	REV. 80385	REV. NC
SCALE 1/1	SHEET 2 OF 2		