

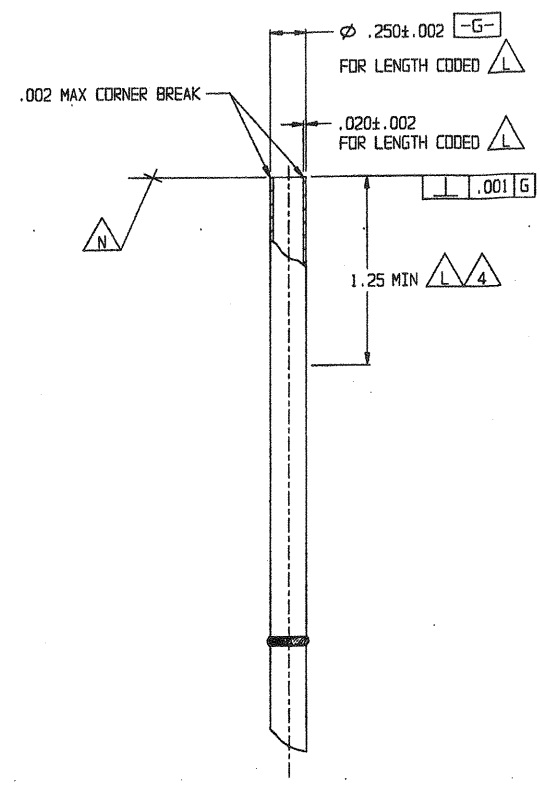
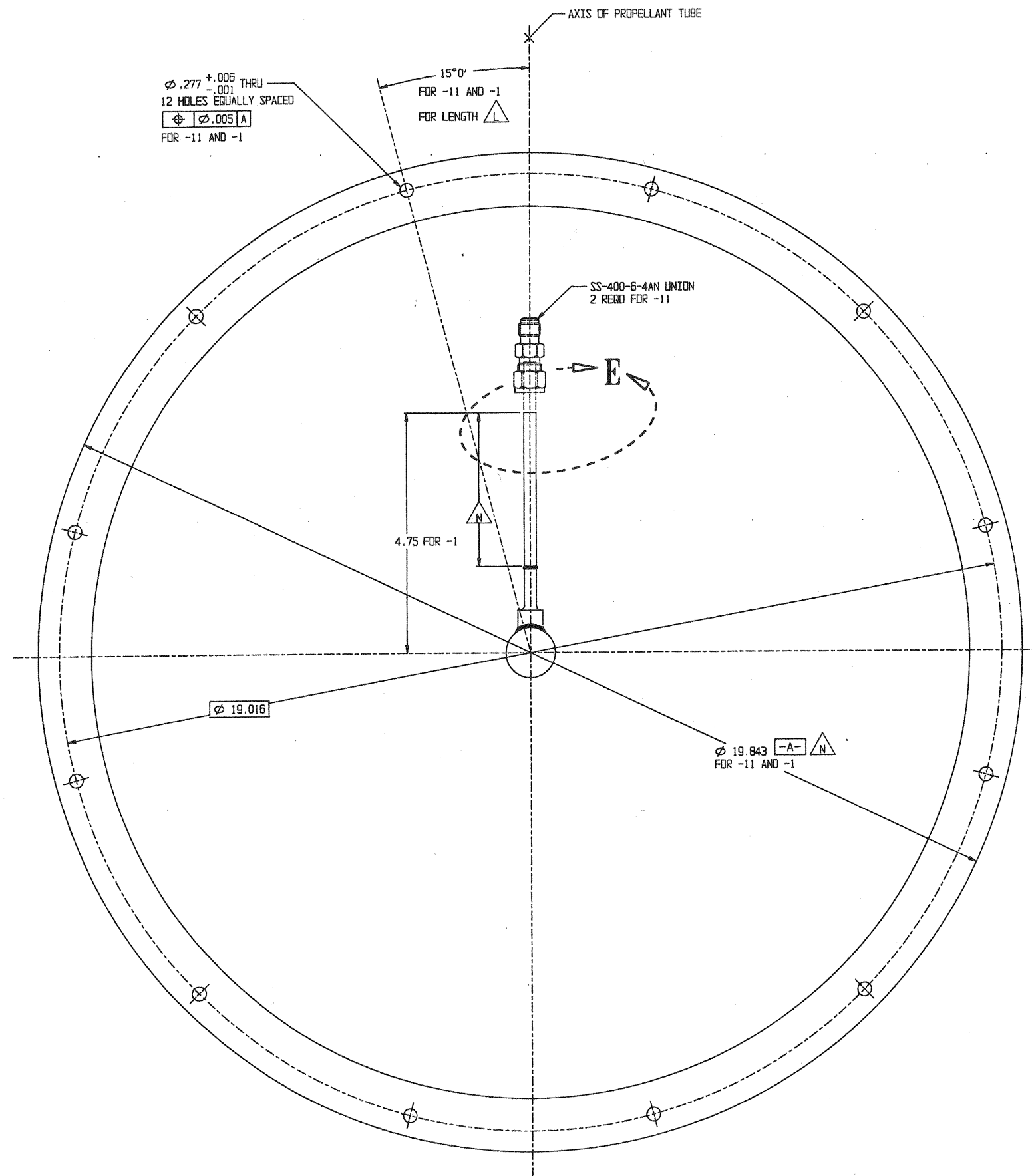
B
SHEET 2

B
SHEET 2

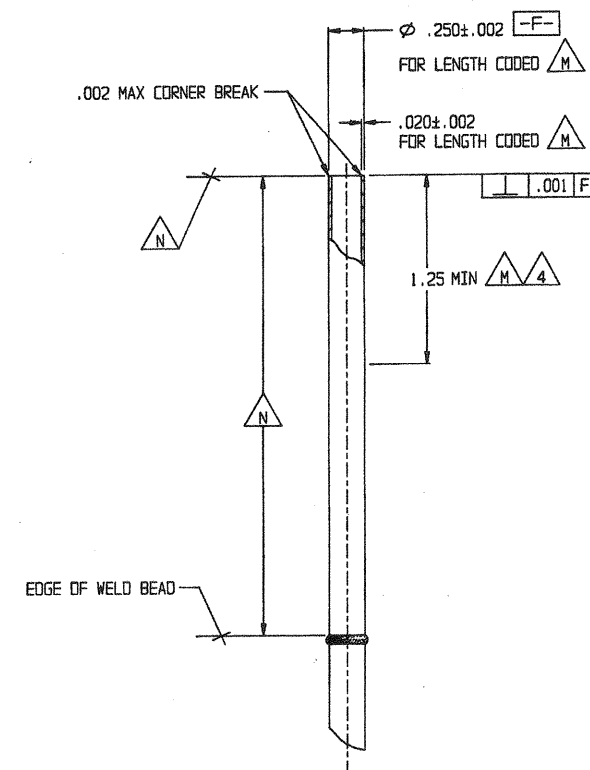
PRESSURE SYSTEMS, INC.
LOS ANGELES, CALIFORNIA

PROPELLANT TANK

CAGE CODE	SIZE	ENG NO.	REV.
18229	E	80401	NC
SCALE: 1/1	SHEET		1 OF 2



VIEW E
 SCALE 2/1



PRESSURE SYSTEMS, INC.				
LOS ANGELES, CALIFORNIA				
PROPELLANT TANK				
CAGE CODE	SIZE	ENG. NO.	REV.	
18229	E	80401	NC	
SCALE: 1/1				SHEET 2 OF 2