

Y

X

Y SHEET 2

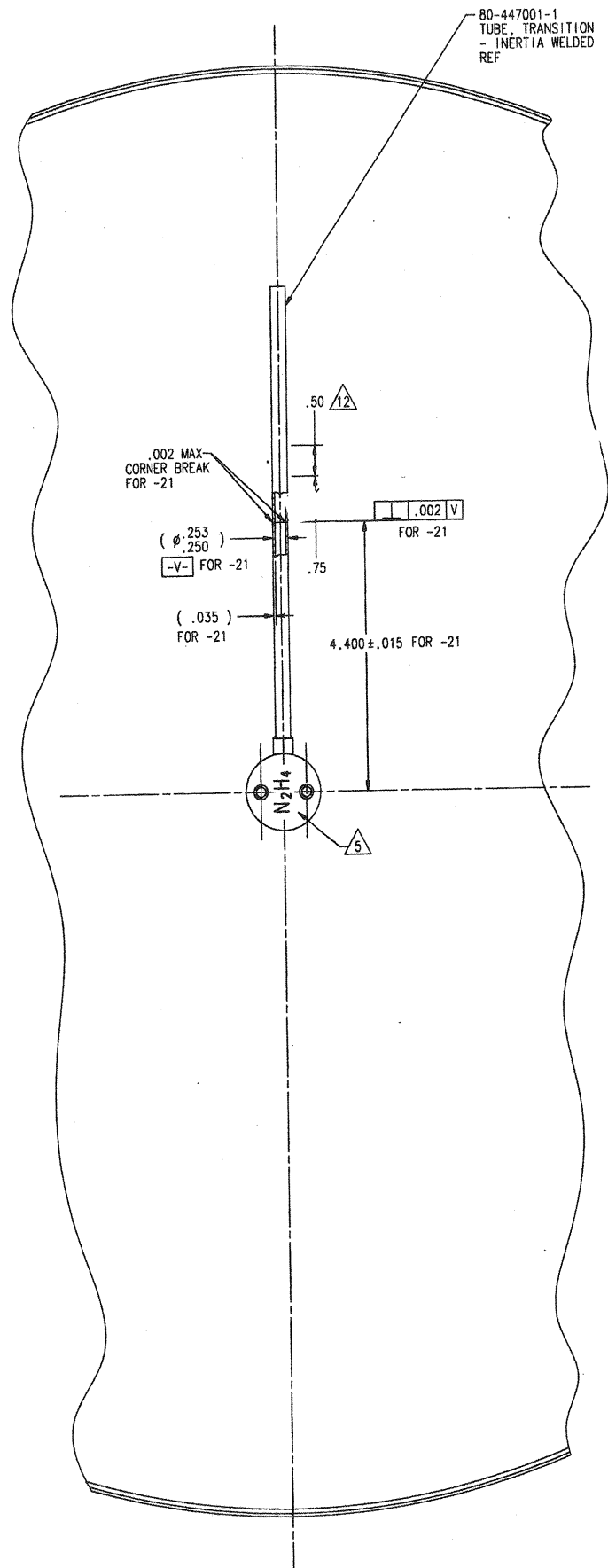
X SHEET 2

PRESSURE SYSTEMS, INC.
LOS ANGELES, CALIFORNIA

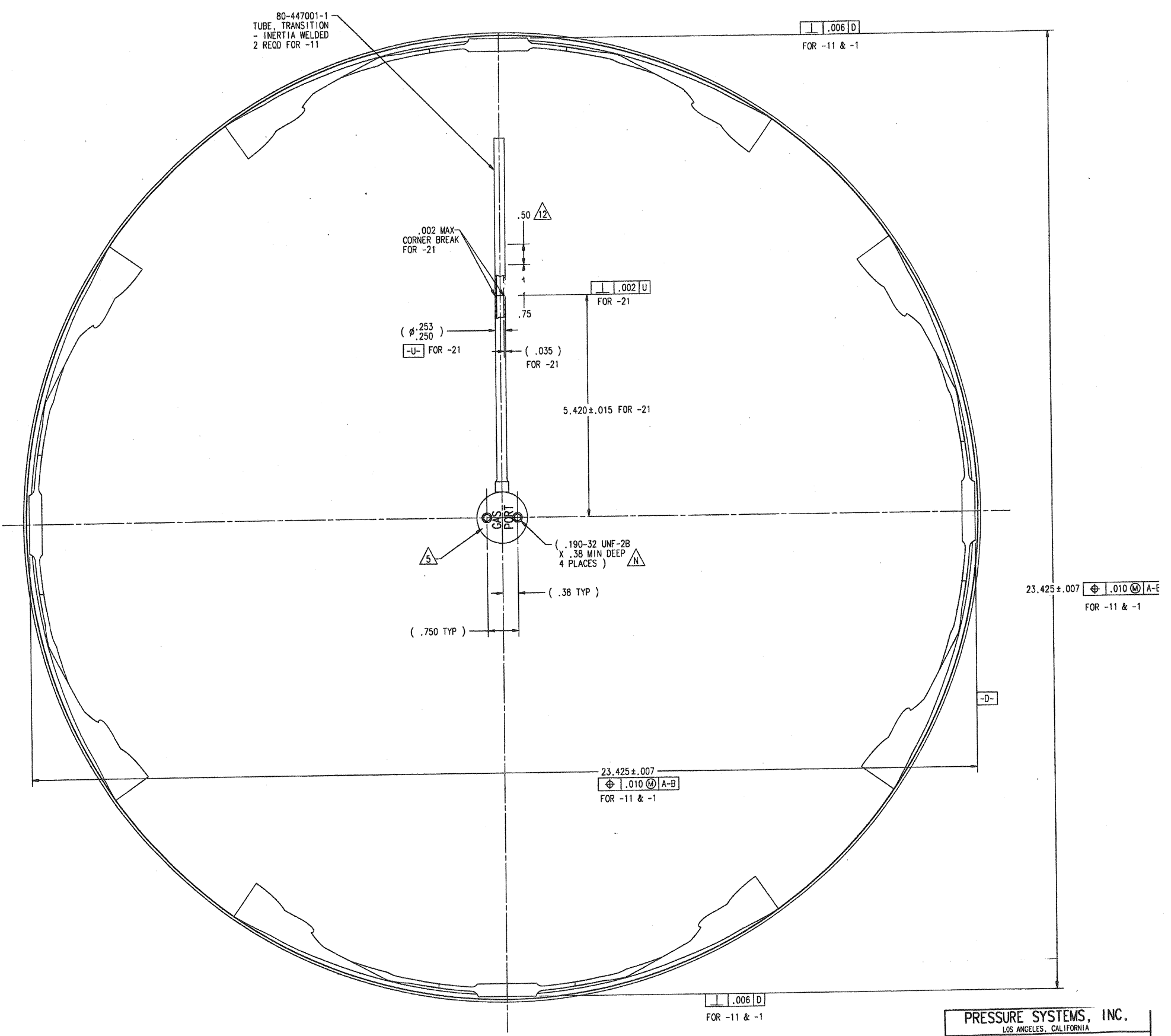
PROPELLANT TANK ASSEMBLY

CAGE CODE	SIZE	DRG NO.	REV.
18229	E	80447	A
SCALE: 1/1	SHEET		1 OF 2

- (-21) TANK - TRIMMED
1 REQD FOR -11
- (-11) TANK - WELDMENT
1 REQD FOR -1



VIEW Y-Y SHEET 1



VIEW X-X SHEET 1

PRESSURE SYSTEMS, INC.
 LOS ANGELES, CALIFORNIA
 PROPELLANT TANK ASSEMBLY
 CASE CODE: 18229 SIZE: E DWG NO.: 80447 REV.: A
 SCALE: 1/1 SHEET: 2 OF 2