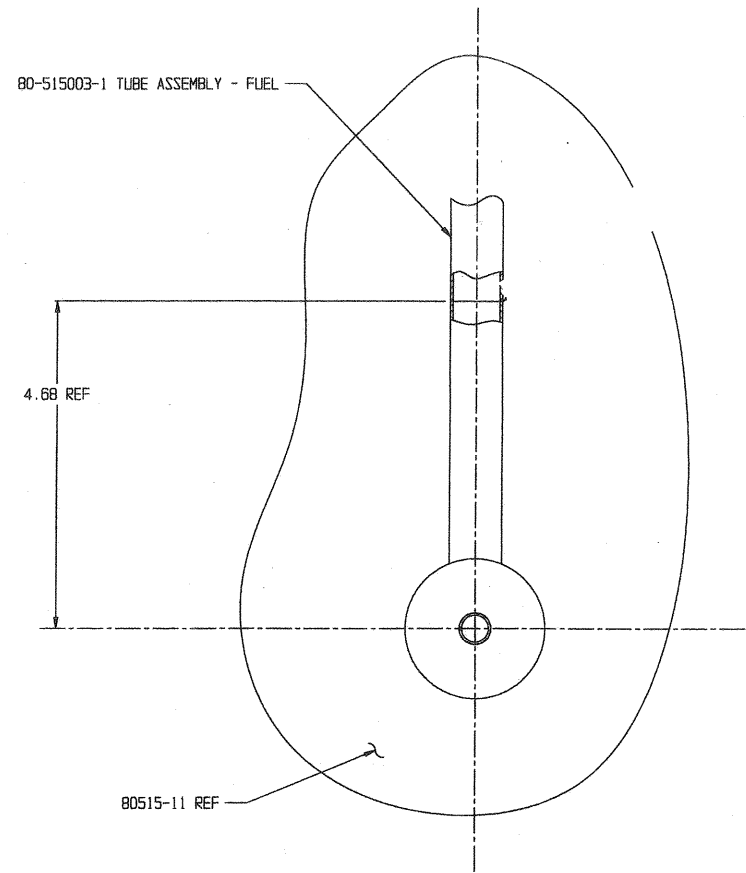
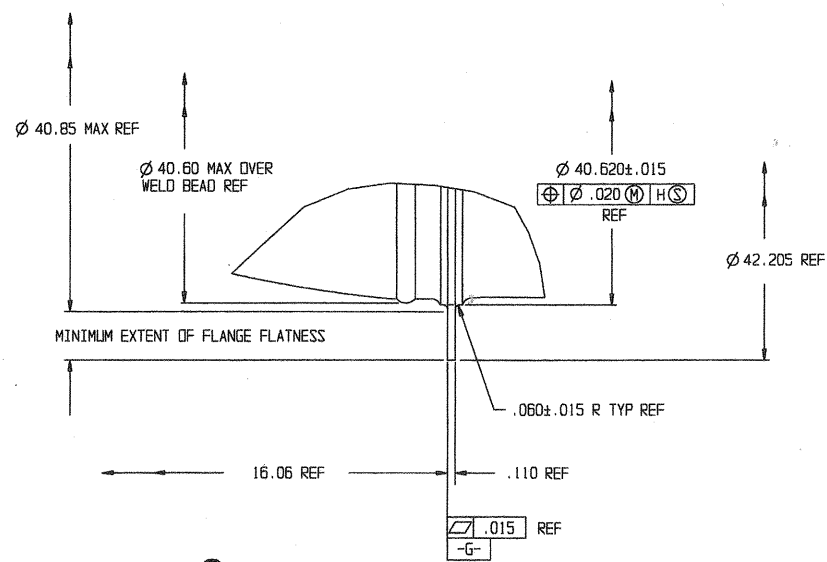


ATK SPACE SYSTEMS, INC.			
LOS ANGELES, CALIFORNIA			
PROPELLANT TANK ASSEMBLY			
CAGE CODE	SIZE	ENG. NO.	REV.
18229	E	80515	B
SCALE: NOTED		SHEET 1 OF 3	

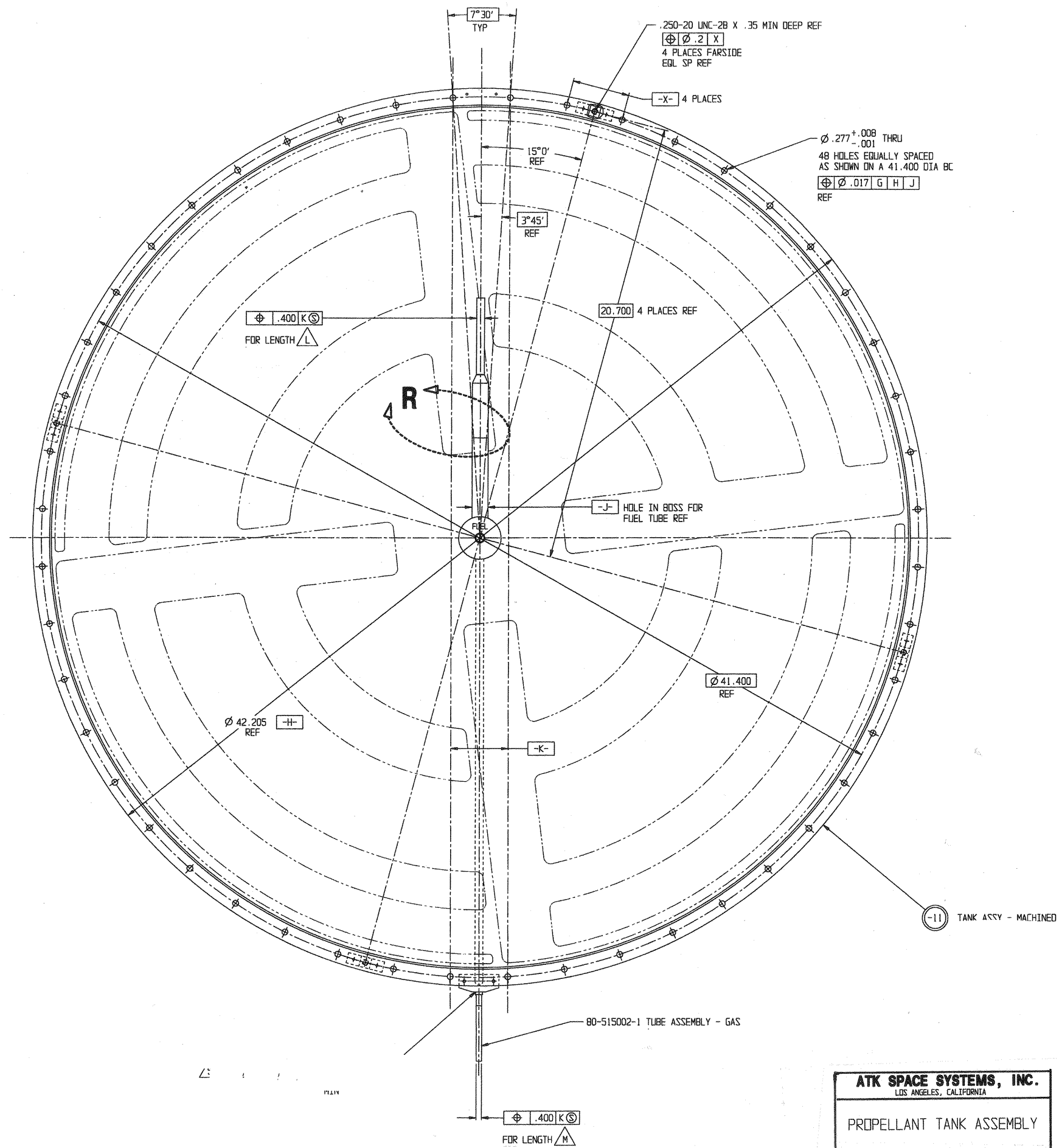
-1 ASSY



VIEW R
SCALE 1/1

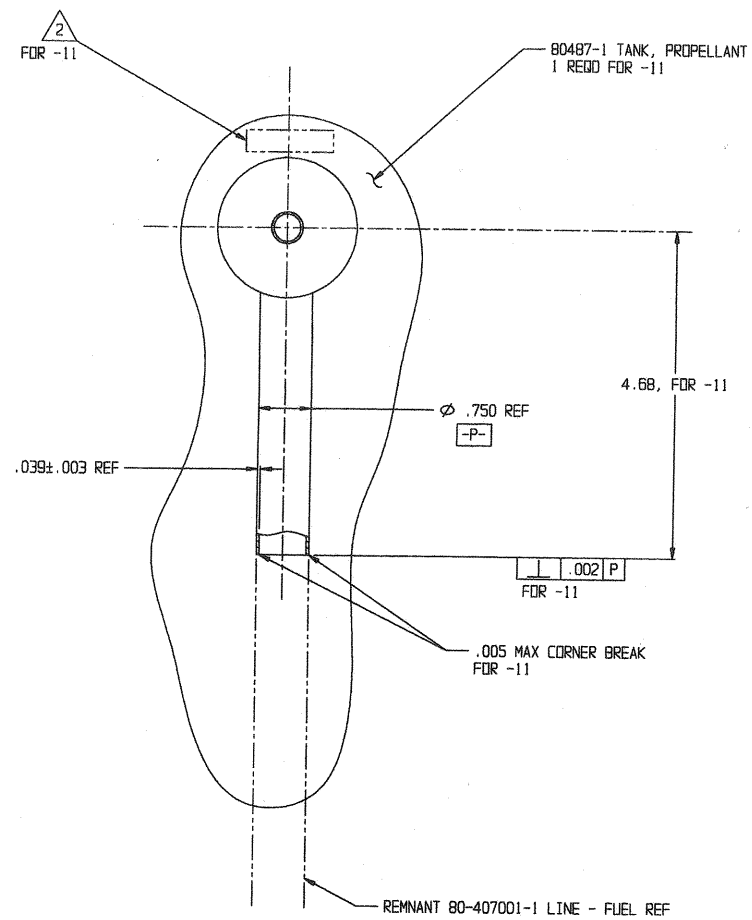


VIEW C SHEET 1
SCALE 1/1
TUBE & MOUNTING BLOCK REMOVED FOR CLARITY

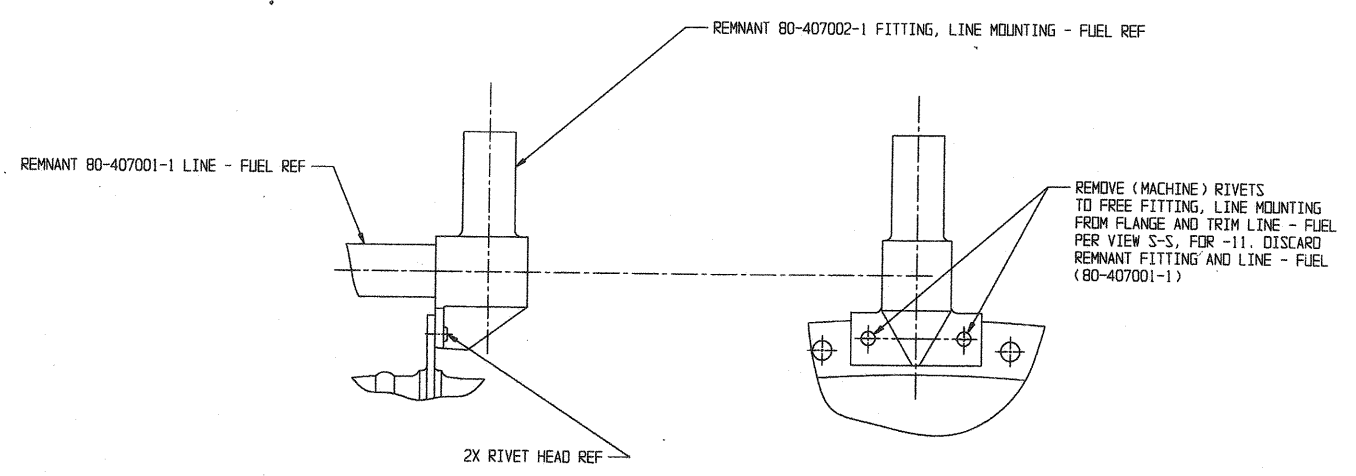


VIEW F-F SHEET 1

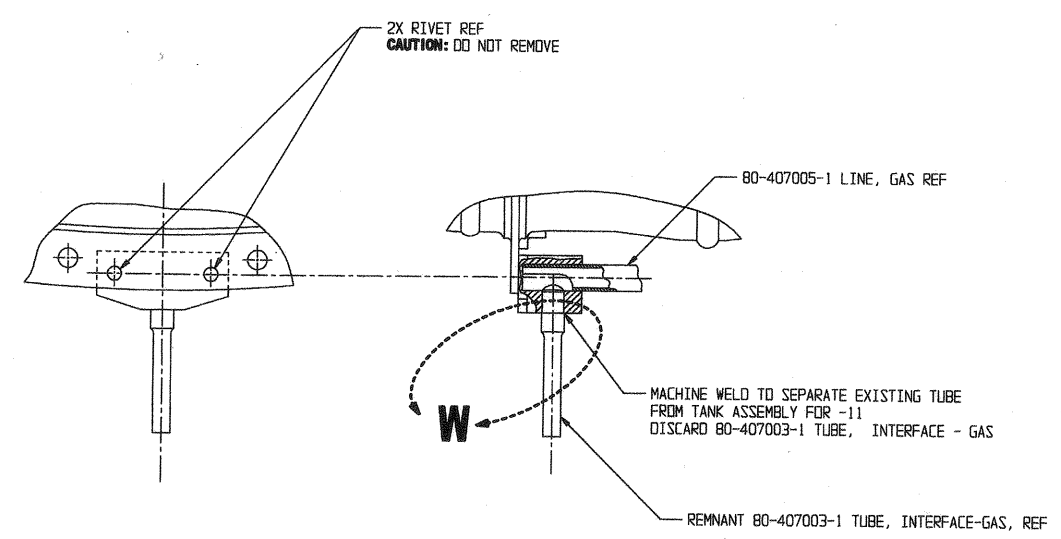
ATK SPACE SYSTEMS, INC.			
LOS ANGELES, CALIFORNIA			
PROPELLANT TANK ASSEMBLY			
CAGE CODE	SIZE	DWG NO.	REV.
18229	E	80515	NC
SCALE: NOTED		SHEET 2 OF 3	



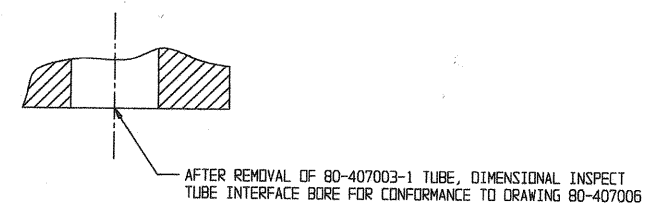
VIEW S-S SHEET 1
SCALE 1/1
VIEW ROTATED 180° TO SHOW REQUIRED
TUBE ORIENTATION DURING
THE MACHINING PROCESS



VIEW U SHEET 1
SCALE 1/1



VIEW T SHEET 1
SCALE 1/1



VIEW W
SCALE 4/1

ATK SPACE SYSTEMS, INC. LOS ANGELES, CALIFORNIA			
PROPELLANT TANK ASSEMBLY			
CAGE CODE 18229	SIZE E	DWG NO. 80515	REV. NC
SCALE: NOTED	SHEET	3 OF 3	