

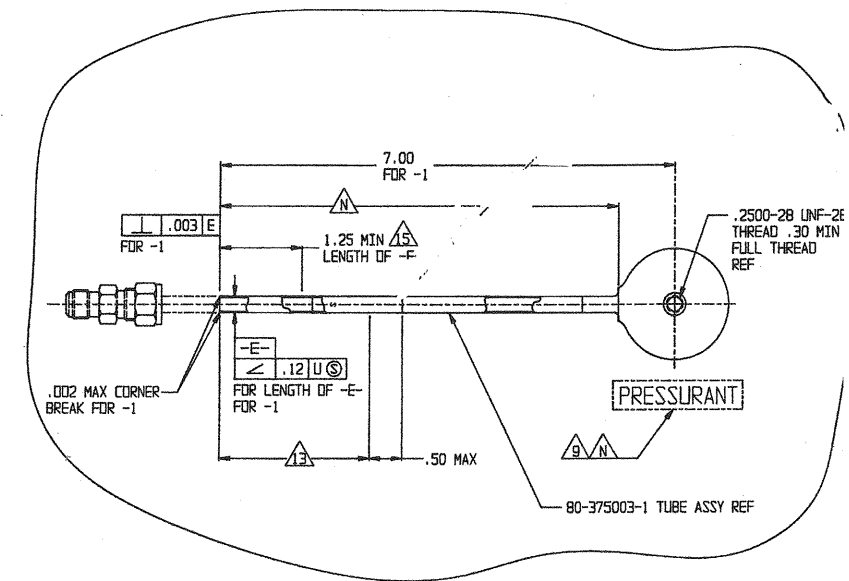
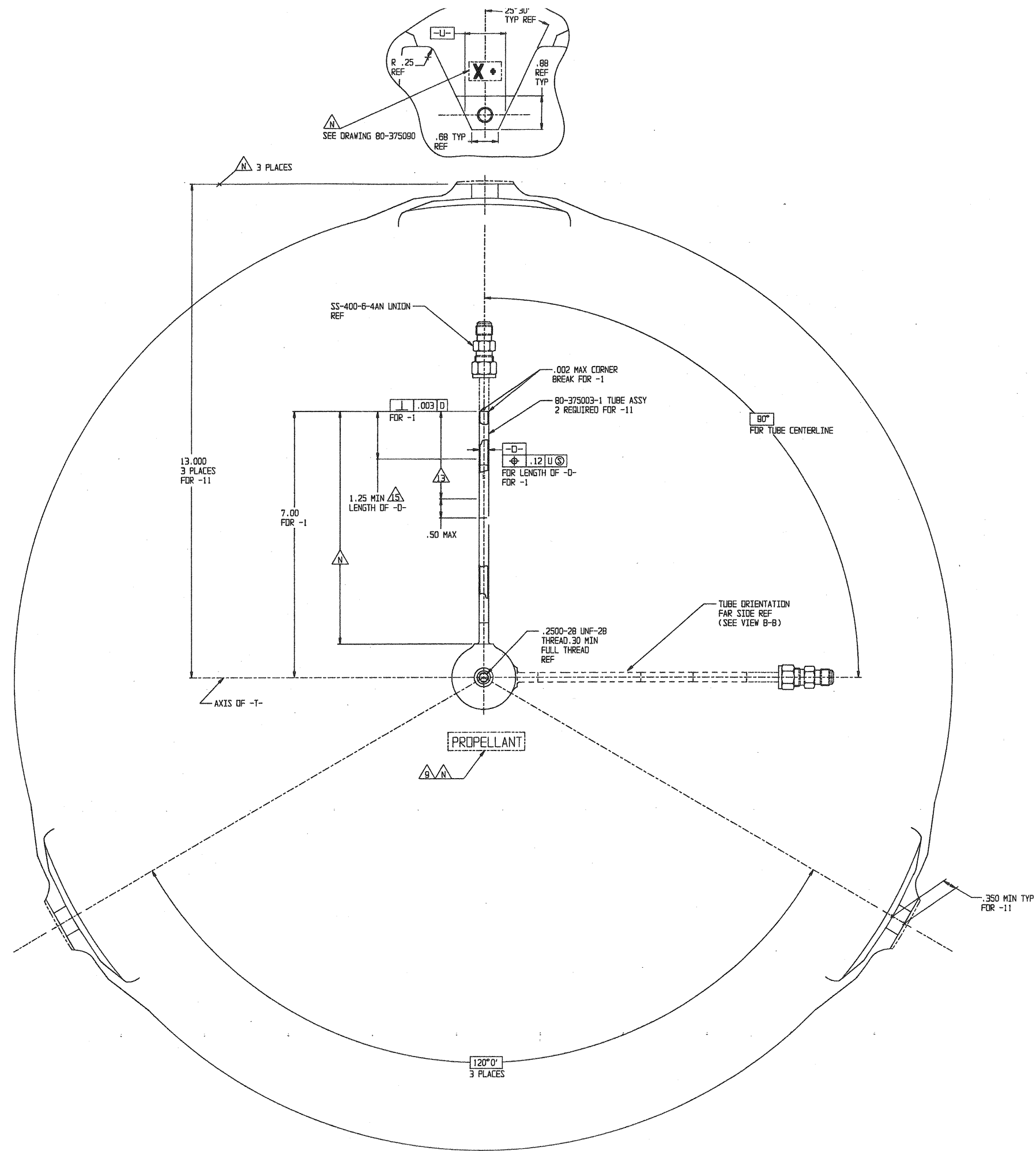
A SHEET 2

A SHEET 2

B SHEET 2

B SHEET 2

PRESSURE SYSTEMS, INC. LOS ANGELES, CALIFORNIA			
PROPELLANT TANK ASSEMBLY			
CAGE CODE 18229	SIZE E	DRG NO. 80375	REV. C
SCALE: 1/1	SHEET		1 OF 2



VIEW B-B SHEET 1

PRESSURE SYSTEMS, INC.			
LOS ANGELES, CALIFORNIA			
PROPELLANT TANK ASSEMBLY			
CAGE CODE	SIZE	ENG NO.	REV.
18229	E	80375	A
SCALE: 1/1	SHEET		2 OF 2