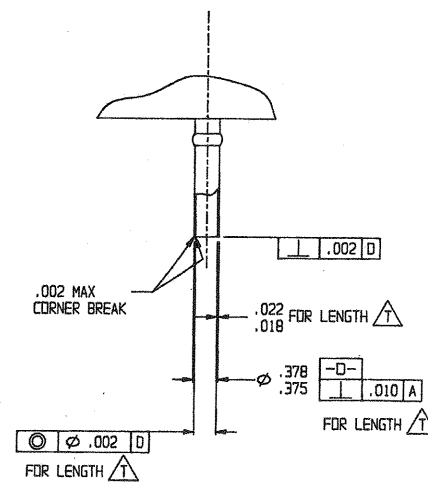


VIEW D FOR -1
SCALE: 1/1

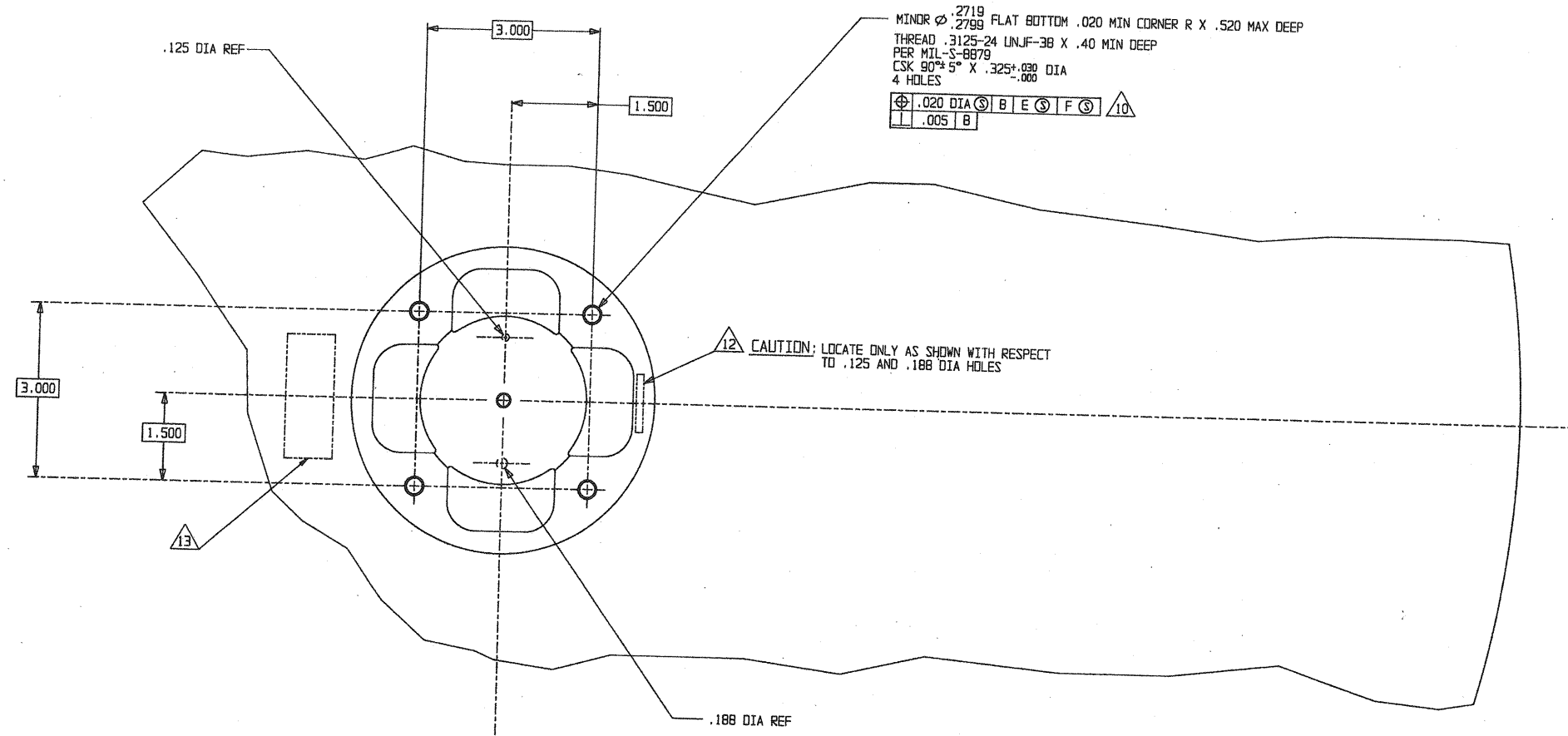


VIEW C FOR -1
SCALE: 1/1

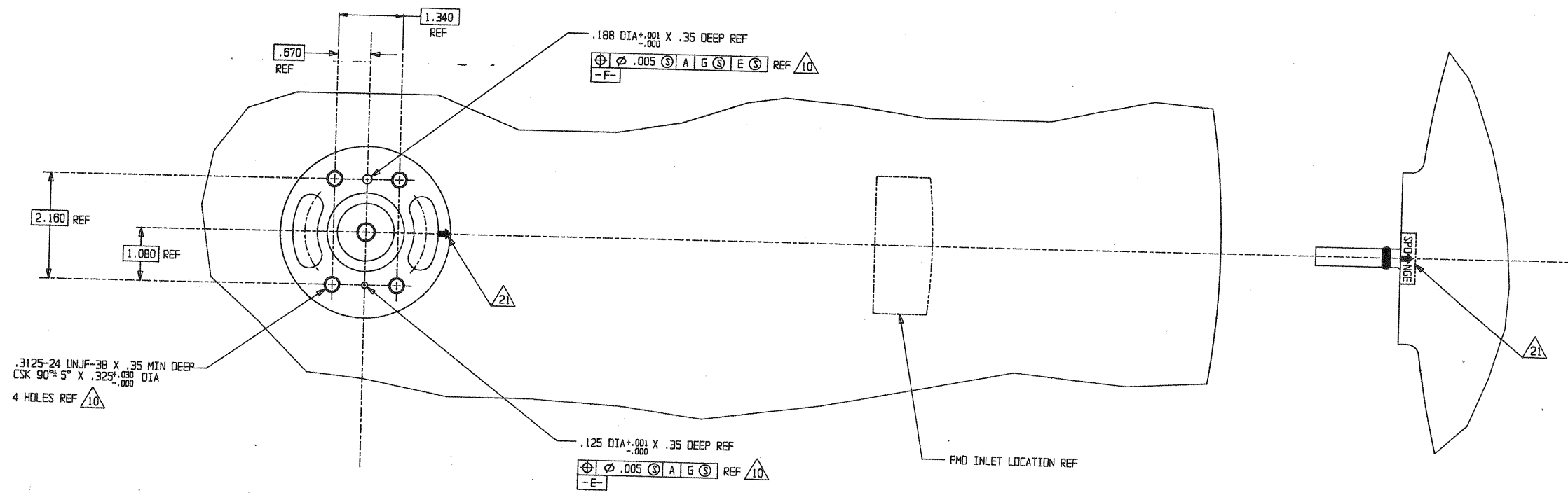
PRESSURE SYSTEMS, INC.
LOS ANGELES, CALIFORNIA

PROPELLANT TANK

CAGE CODE	SIZE	QWG NO.	REV.
18229	E	80399	A
SCALE: 1/2		SHEET	1 OF 2



VIEW **B-B** SHEET 1



VIEW **A-A** SHEET 1

PRESSURE SYSTEMS, INC.			
LOS ANGELES, CALIFORNIA			
PROPELLANT TANK			
CAGE CODE	SIZE	ENG NO.	REV.
18229	E	80399	A
SCALE: 1/1	SHEET		2 OF 2