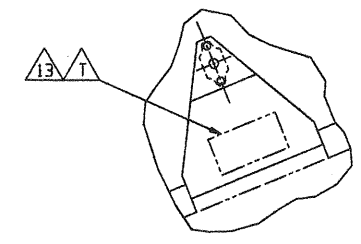
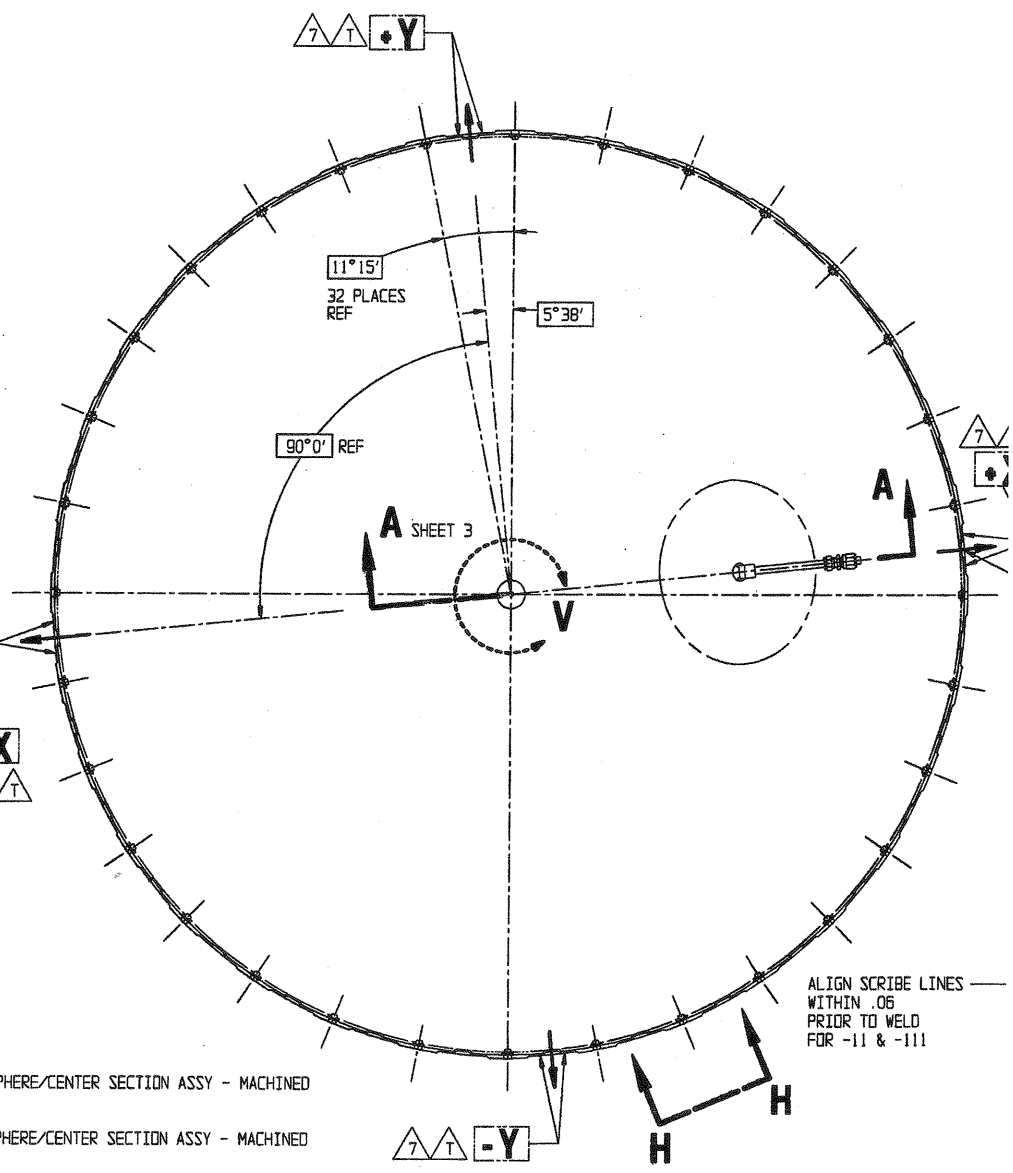
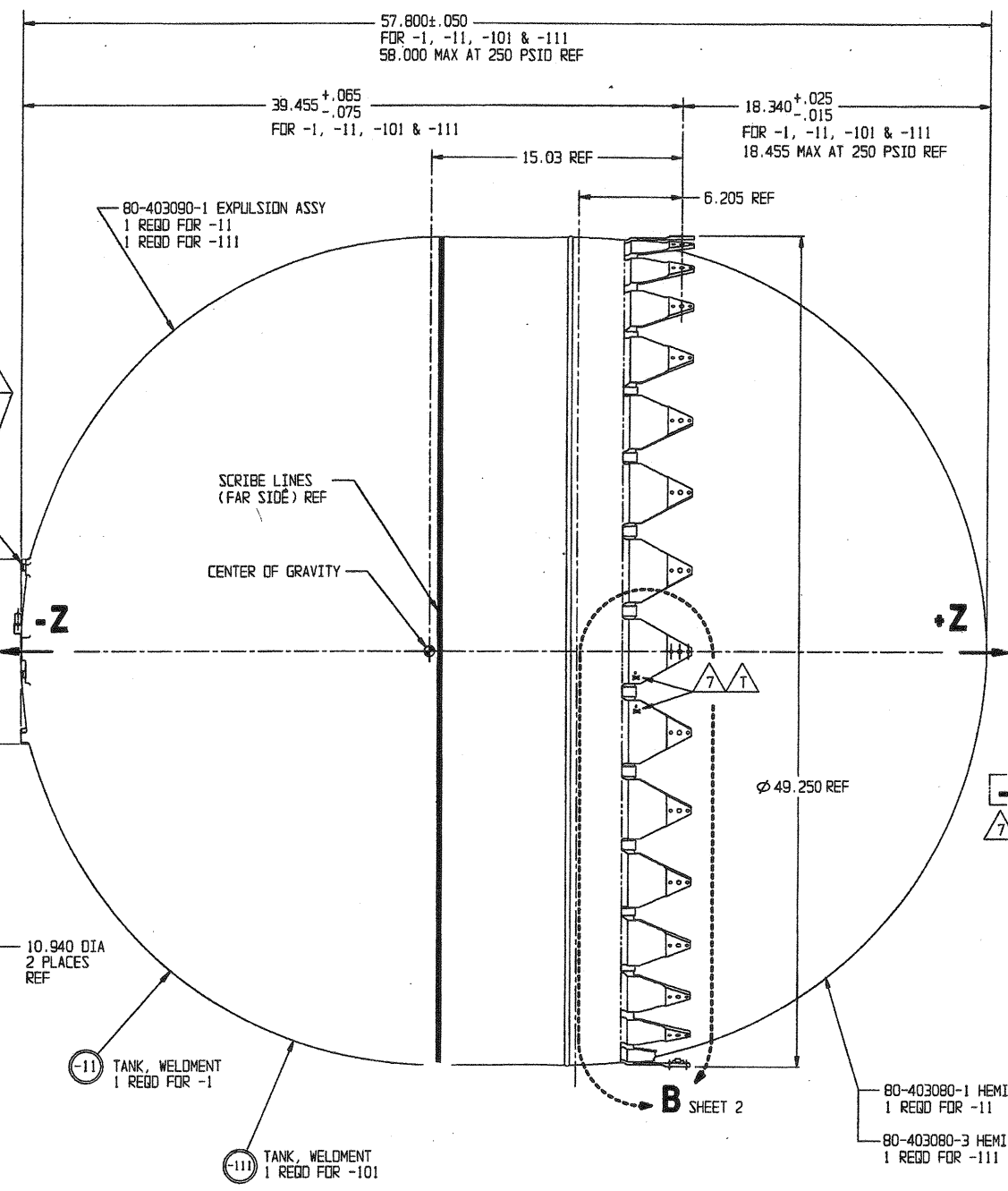
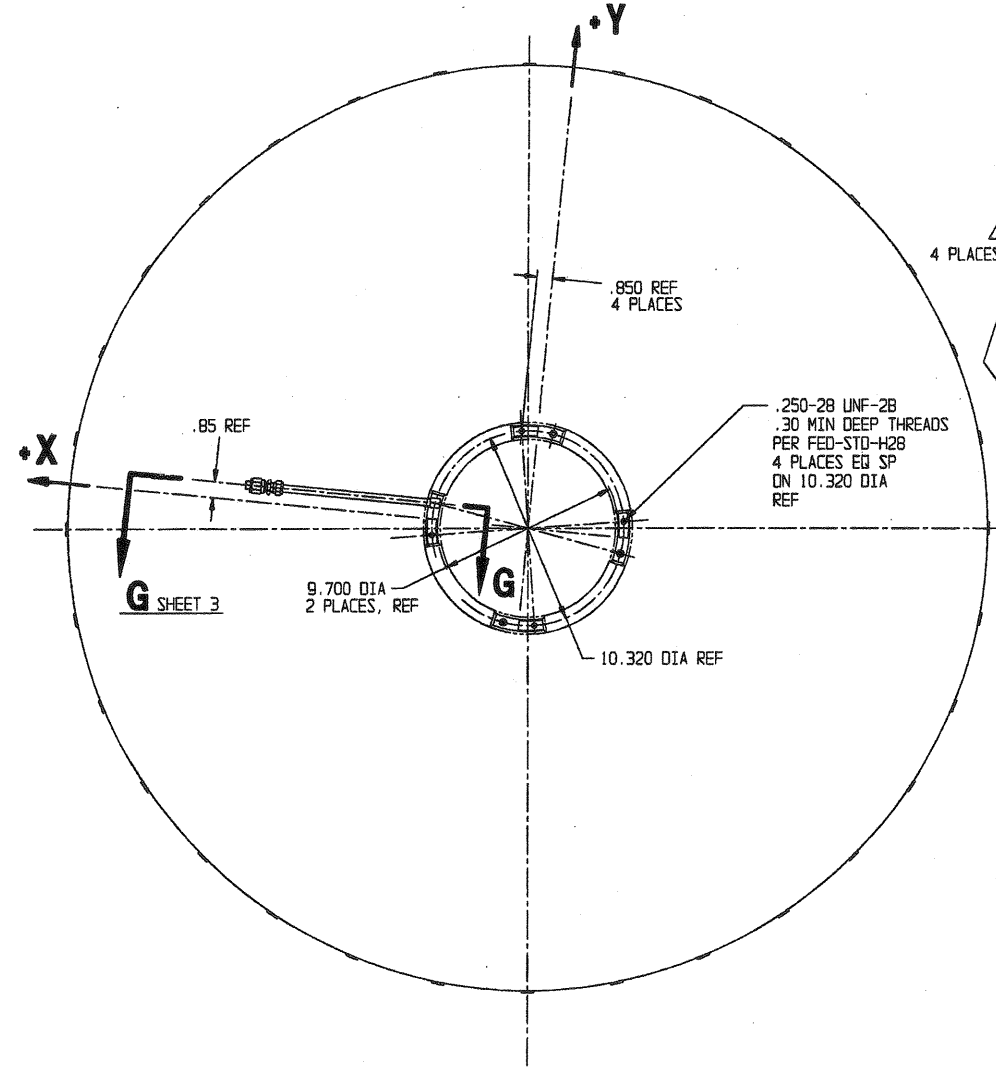


.250-20 UNF-2B
X .50 MIN DEEP THREAD
PER FED-STD-H2B
REF

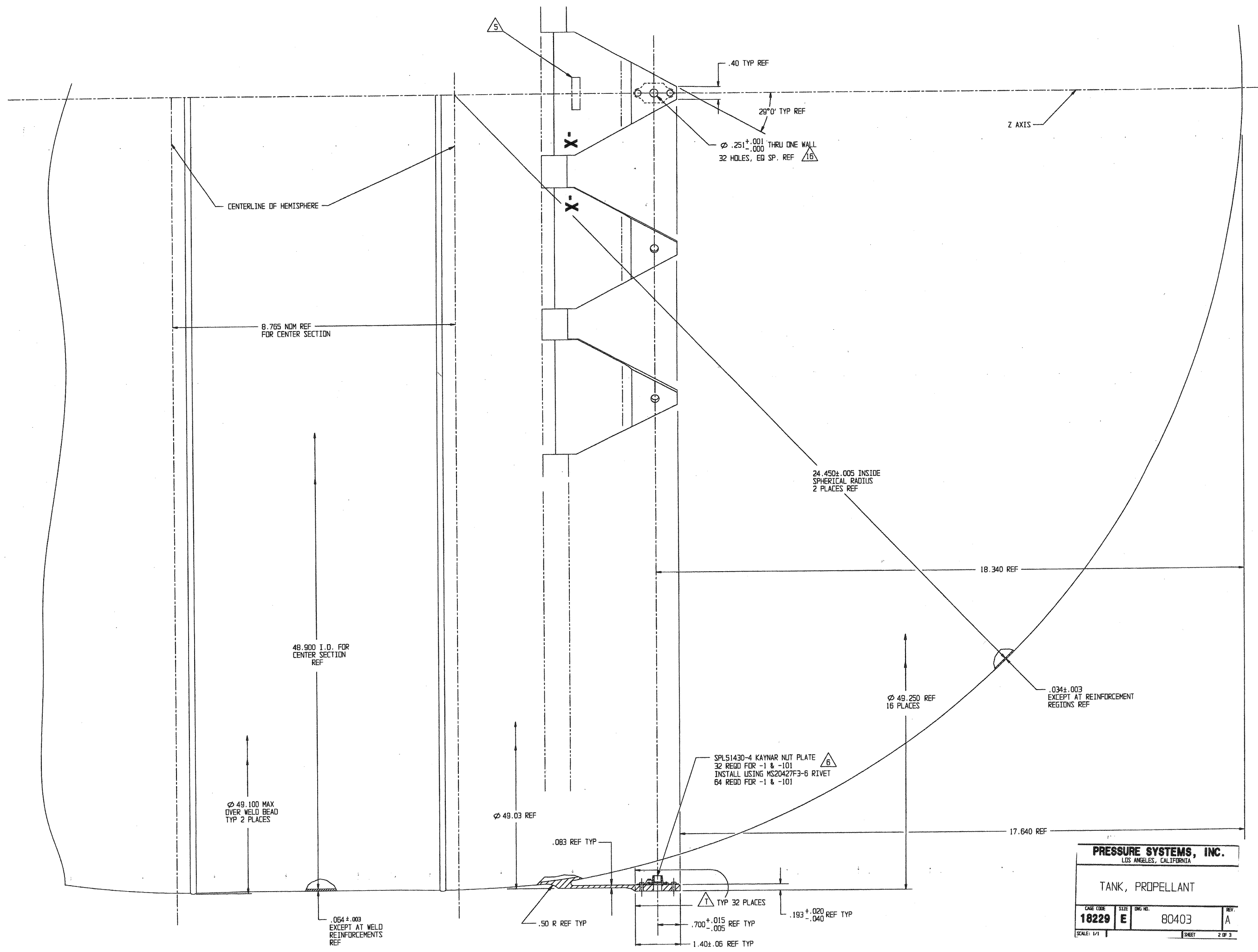
VIEW V
SCALE: 2/1



PRESSURE SYSTEMS, INC.
LOS ANGELES, CALIFORNIA

TANK, PROPELLANT

CAGE CODE 18229	SIZE E	DWG NO. 80403	REV. B
SHEET		1 OF 3	



CENTERLINE OF HEMISPHERE

8.765 NOM REF FOR CENTER SECTION

48.900 I.D. FOR CENTER SECTION REF

Ø 49.100 MAX OVER WELD BEAD TYP 2 PLACES

.064 ± .003 EXCEPT AT WELD REINFORCEMENTS REF

Ø 49.03 REF

.083 REF TYP

.50 R REF TYP

.40 TYP REF

29°0' TYP REF

Ø .251⁺.001_{-.000} THRU ONE WALL 32 HOLES, EQ SP. REF \triangle 1B

Z AXIS

24.450 ± .005 INSIDE SPHERICAL RADIUS 2 PLACES REF

18.340 REF

Ø 49.250 REF 16 PLACES

.034 ± .003 EXCEPT AT REINFORCEMENT REGIONS REF

SPL51430-4 KAYNAR NUT PLATE \triangle 6
32 REGD FOR -1 & -101
INSTALL USING MS20427F3-6 RIVET
64 REGD FOR -1 & -101

\triangle TYP 32 PLACES

.700⁺.015_{-.005} REF TYP

.193⁺.020_{-.040} REF TYP

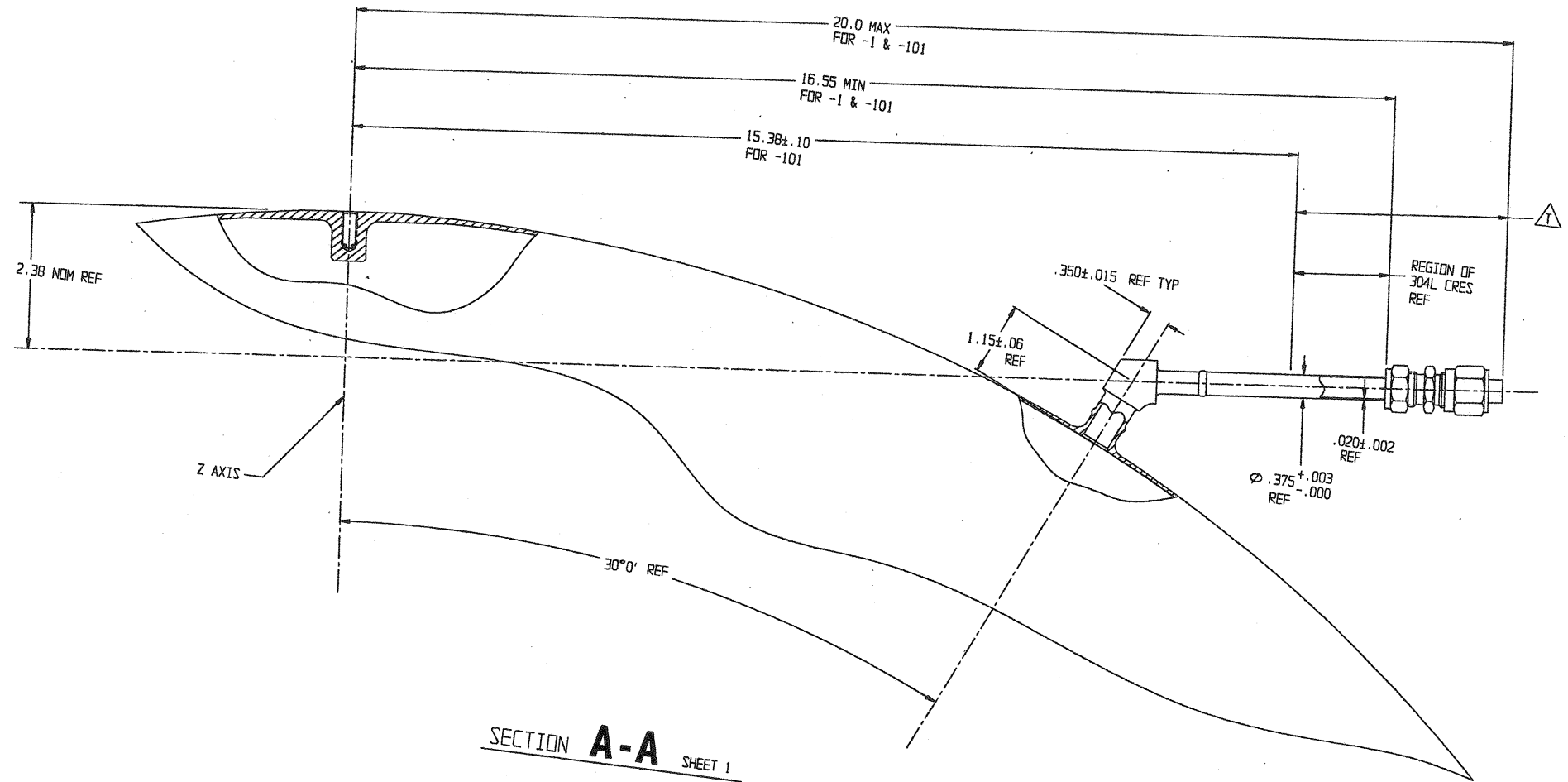
1.40 ± .06 REF TYP

17.640 REF

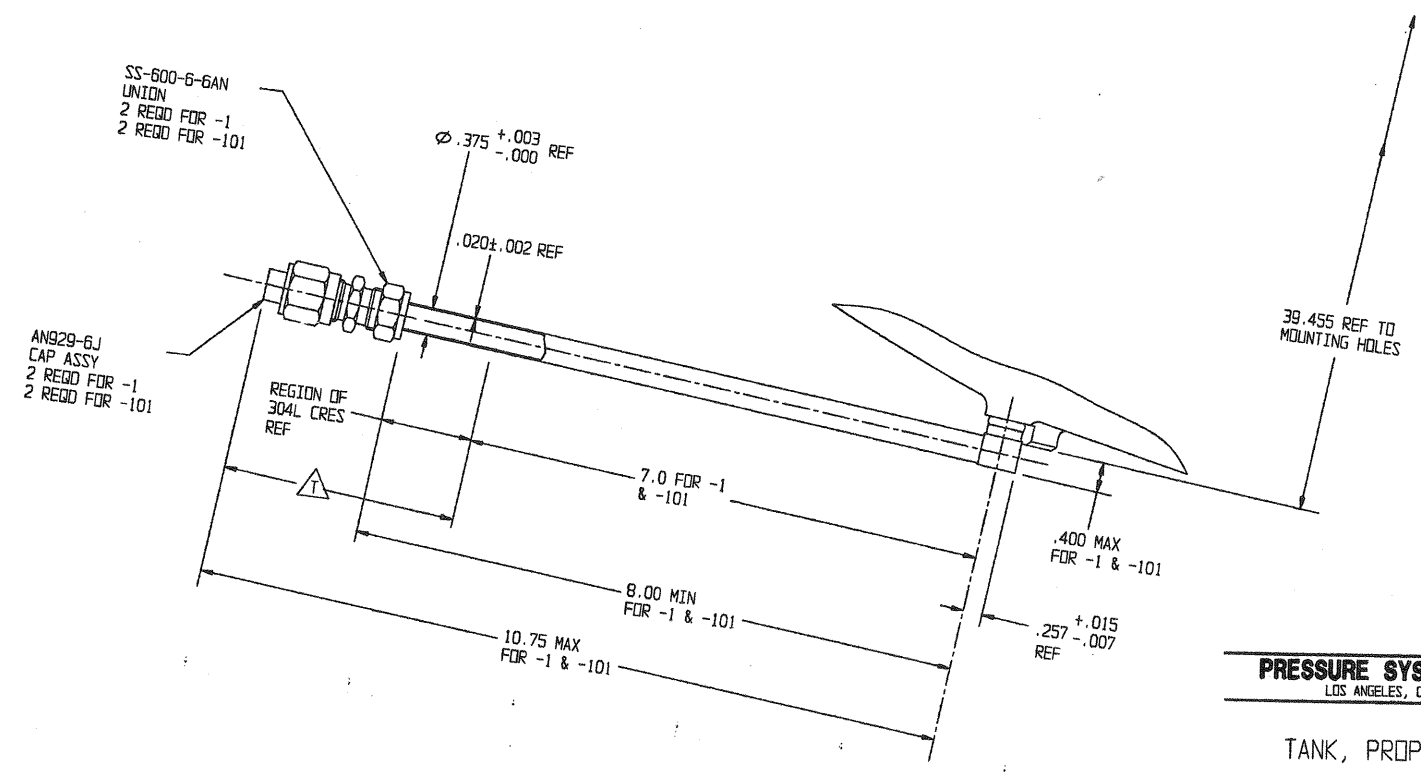
PRESSURE SYSTEMS, INC.
LOS ANGELES, CALIFORNIA

TANK, PROPELLANT

CASE CODE	SIZE	DRG NO.	REV.
18229	E	80403	A
SCALE: 1/1		SHEET 2 OF 3	



SECTION **A-A** SHEET 1



SECTION **G-G** SHEET 1

PRESSURE SYSTEMS, INC. LOS ANGELES, CALIFORNIA			
TANK, PROPELLANT			
CAGE CODE	SIZE	ENG NO.	REV.
18229	E	80403	B
SCALE: 1/1	SHEET		3 OF 3