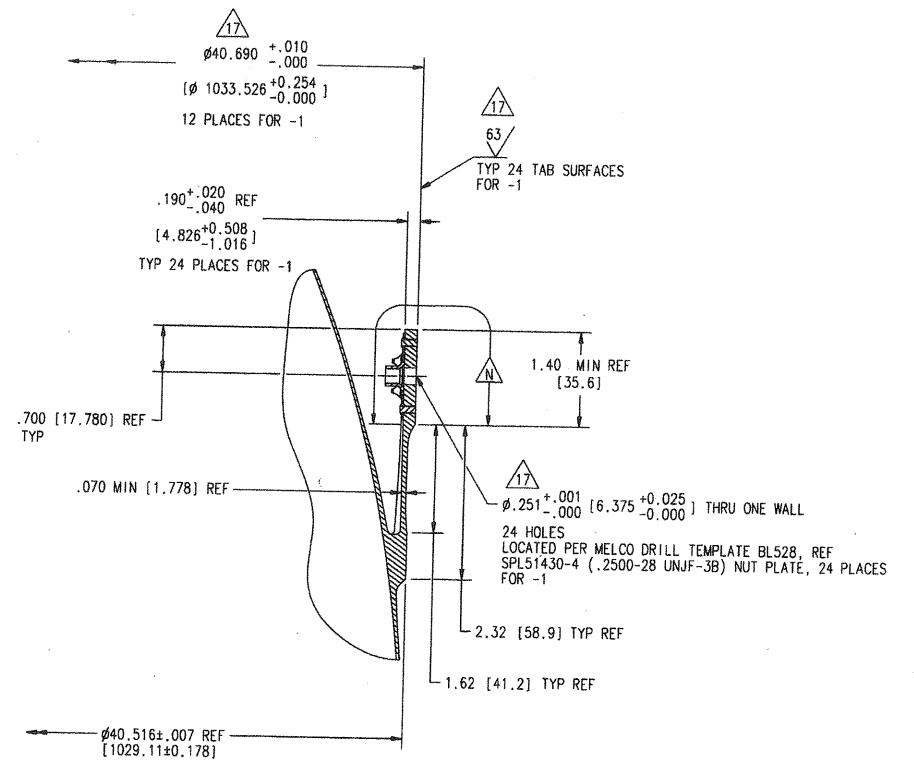
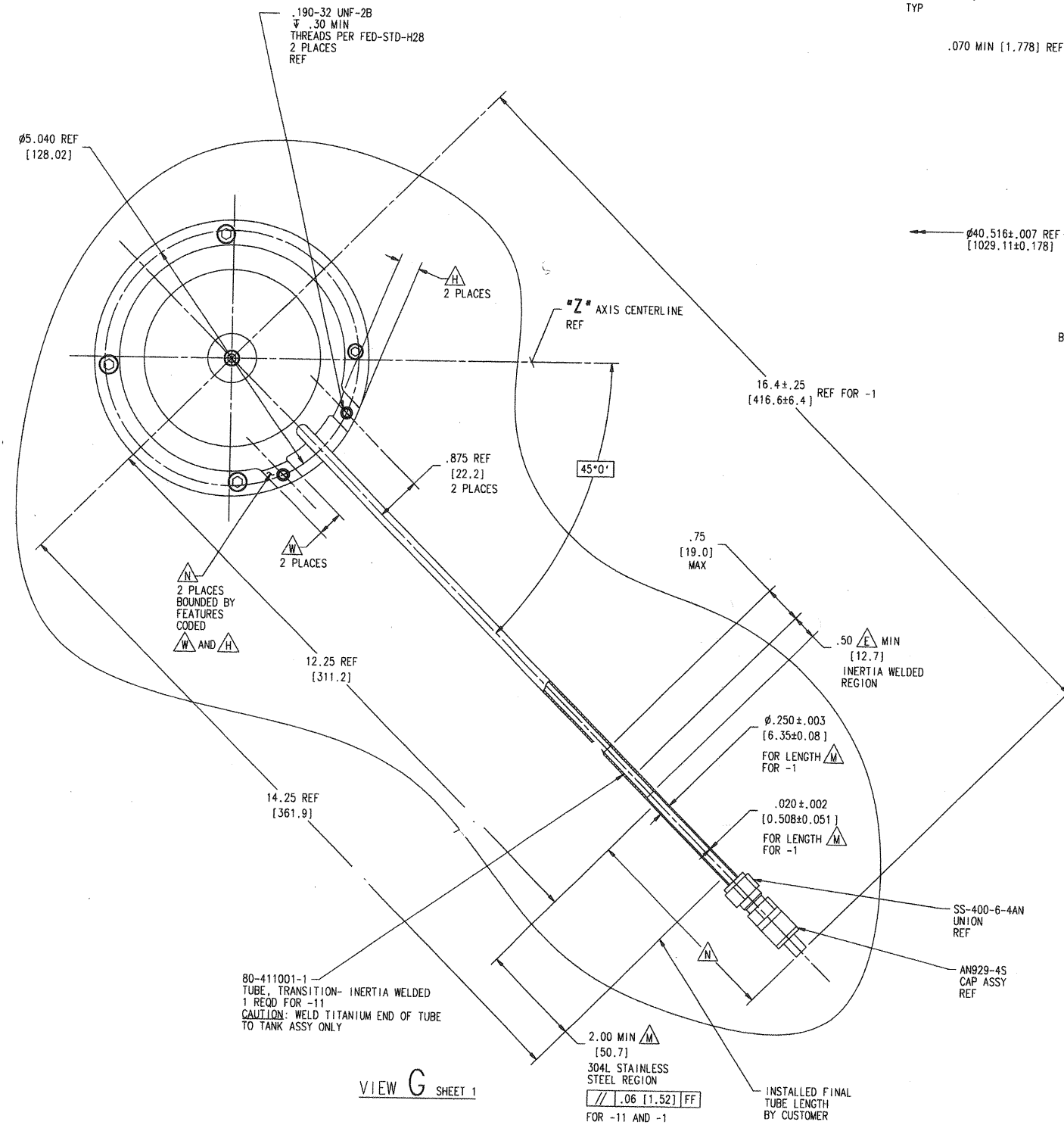


ATK SPACE SYSTEMS, INC.
LOS ANGELES, CALIFORNIA

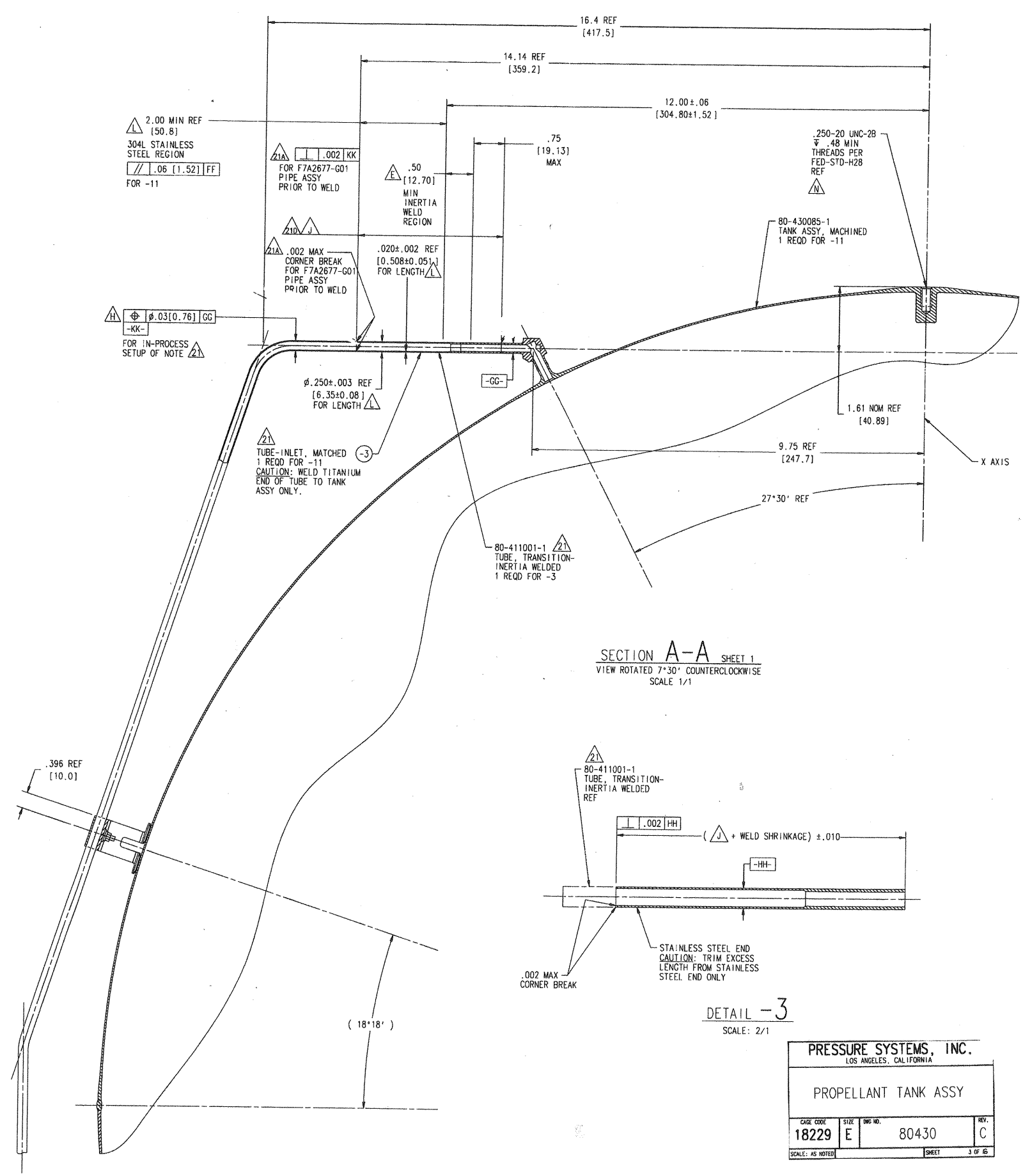
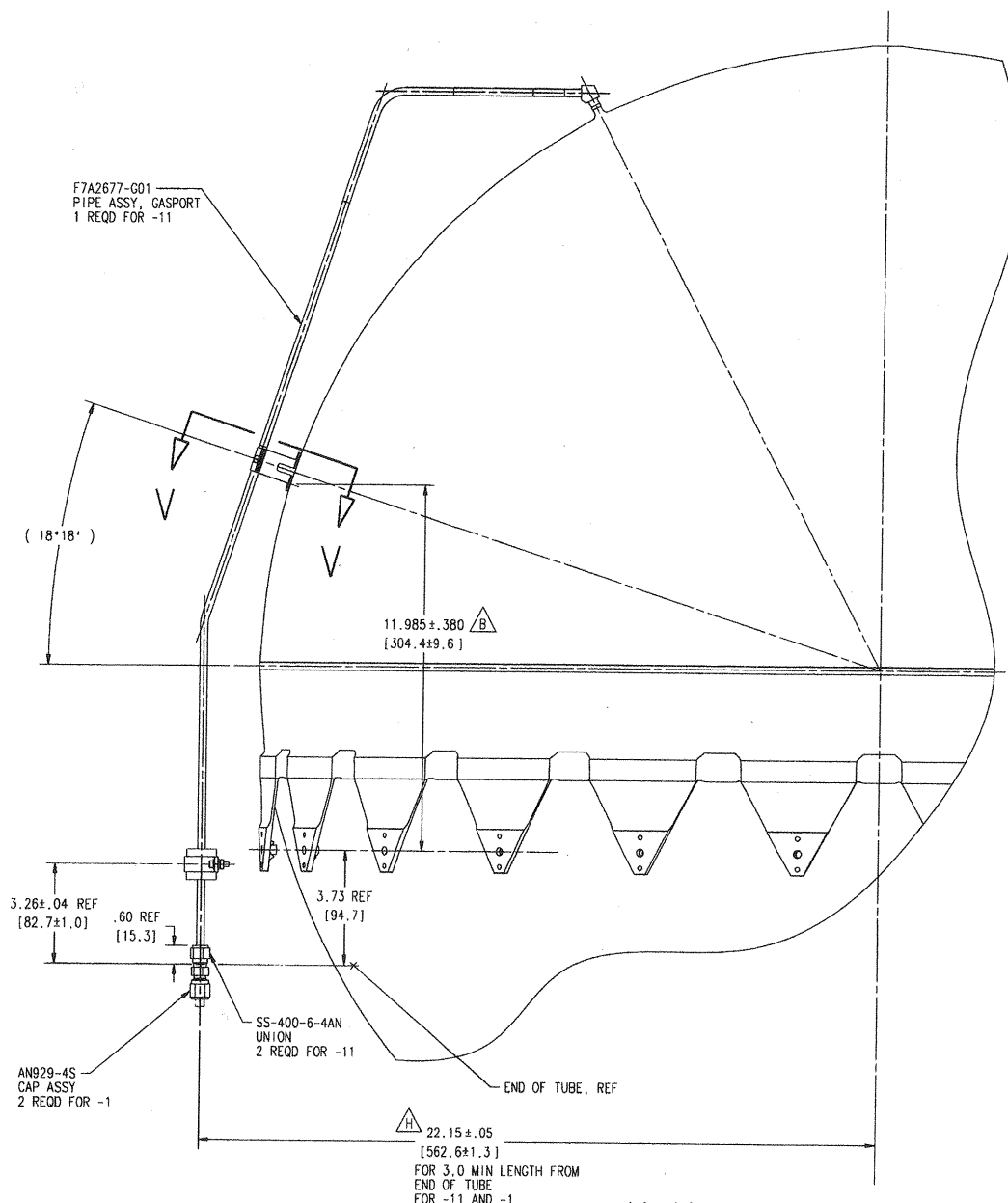
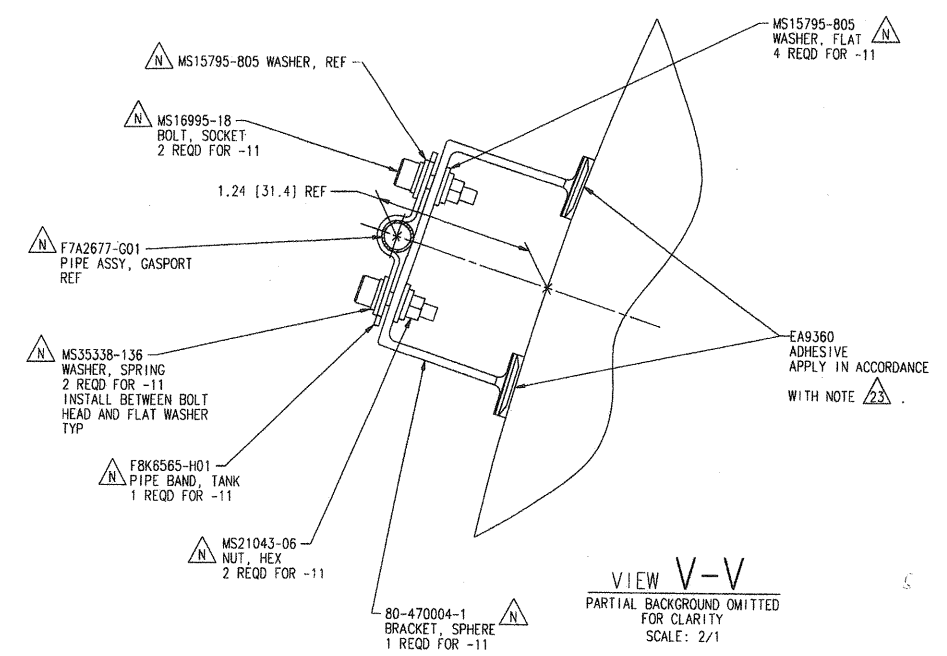
PROPELLANT TANK ASSY

CAGE CODE	SIZE	DWG NO.	REV.
18229	E	80430	D

SCALE: 1/4" SHEET 1 OF 6



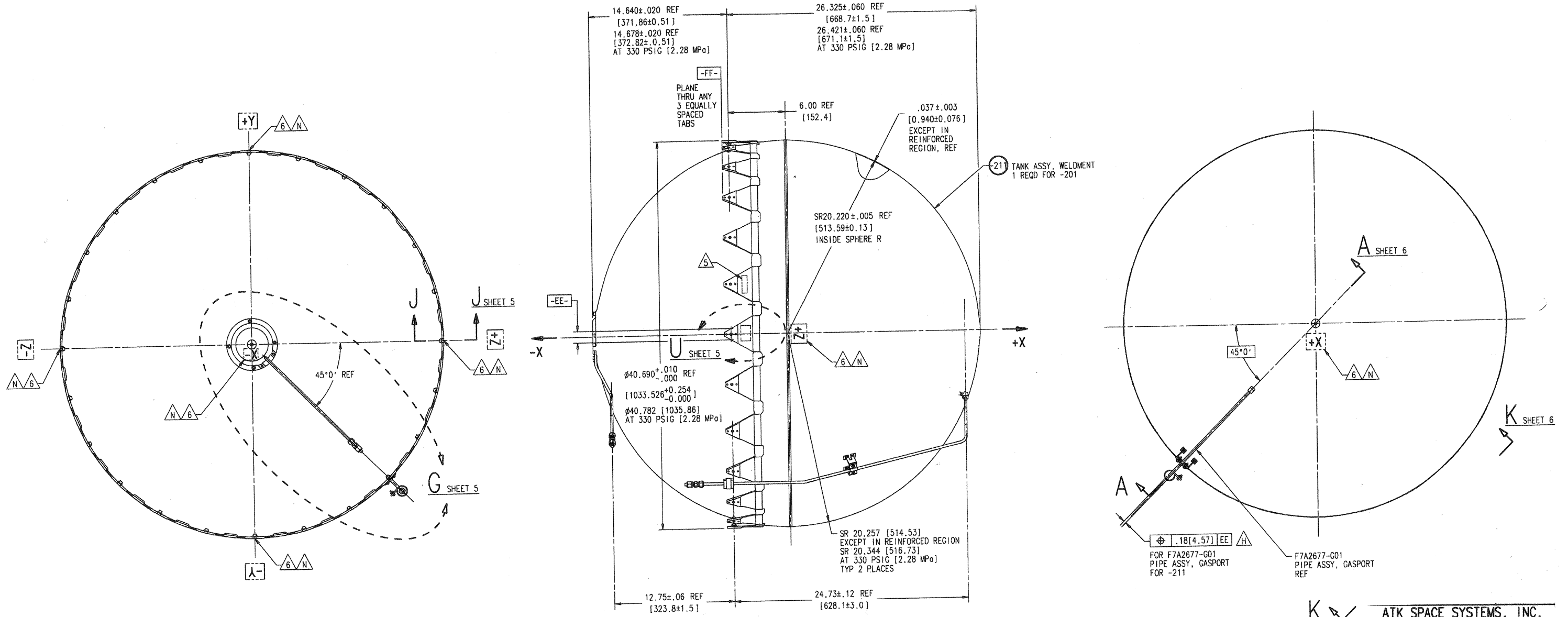
PRESSURE SYSTEMS, INC. LOS ANGELES, CALIFORNIA			
PROPELLANT TANK ASSY			
CAGE CODE 18229	SIZE E	ING NO. 80430	REV. A
SCALE: 1/1		SHEET 2 OF 6	



PRESSURE SYSTEMS, INC.
LOS ANGELES, CALIFORNIA

PROPELLANT TANK ASSY

CASE CODE	SIZE	DRG NO.	REV.
18229	E	80430	C
SCALE: AS NOTED			SHEET 3 OF 6



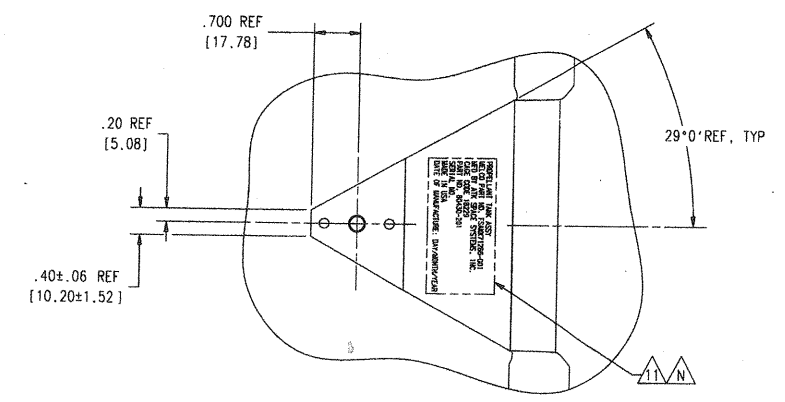
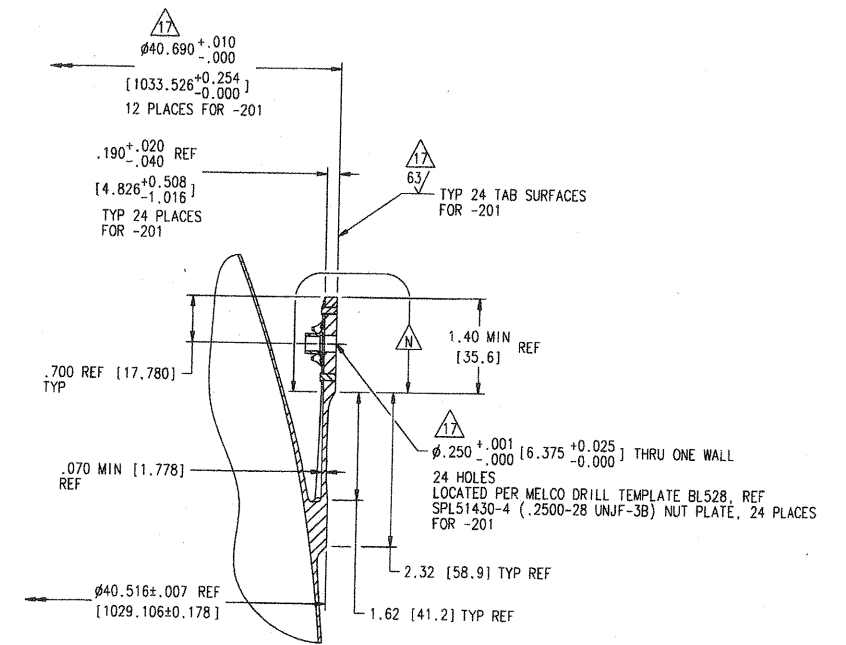
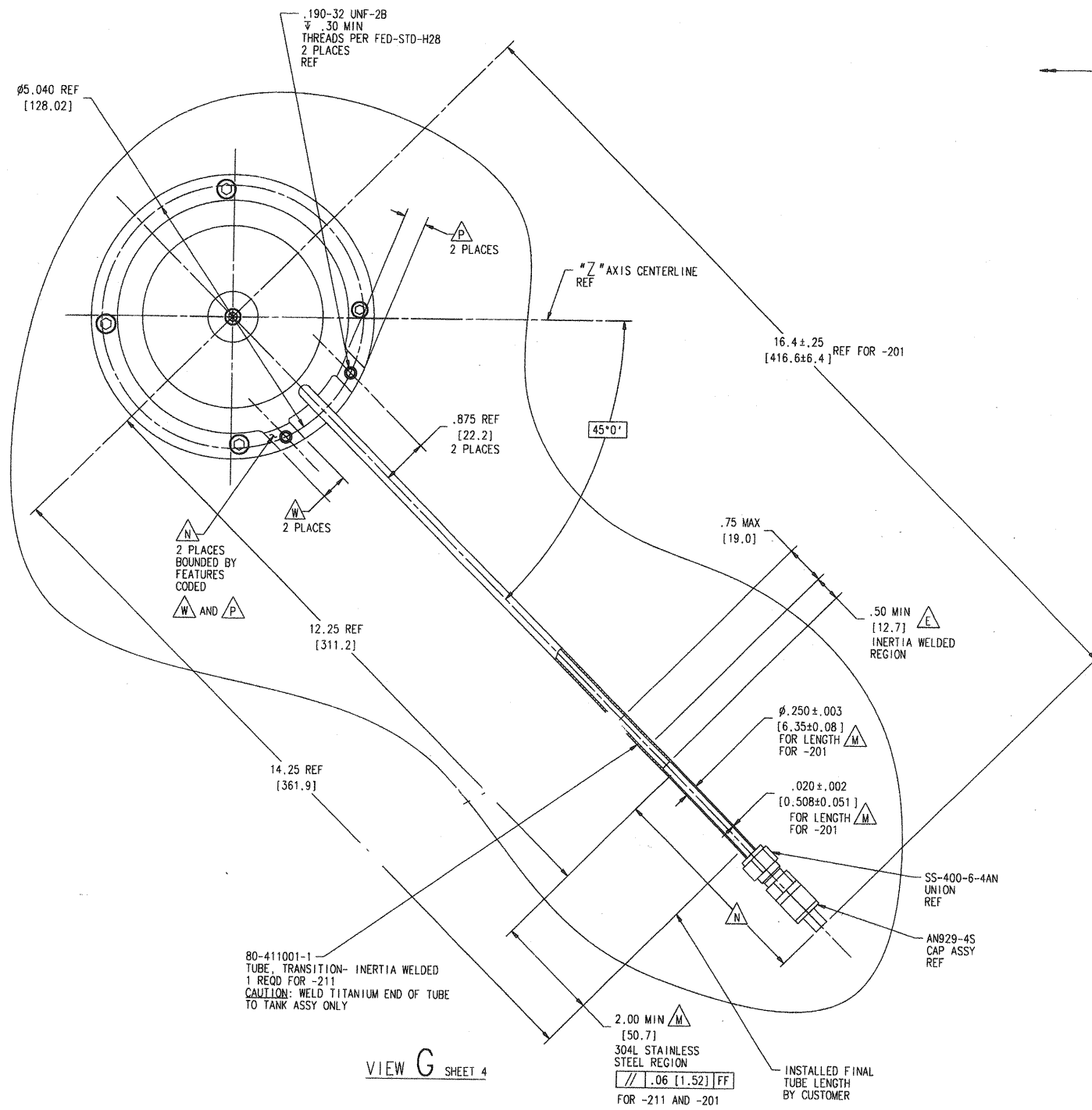
-201 & -211 ASSY

ATK SPACE SYSTEMS, INC.
LOS ANGELES, CALIFORNIA

PROPELLANT TANK ASSY

CAGE CODE	SIZE	DWG NO.	REV.
18229	E	80430	NC

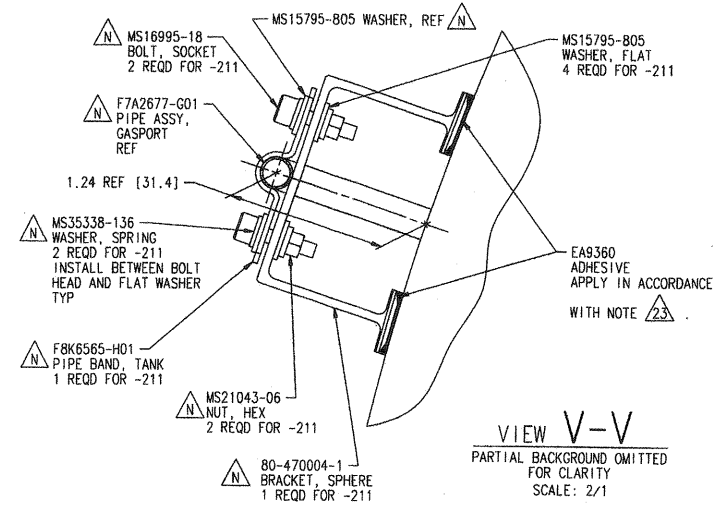
SCALE: 1/4" = 1" SHEET 4 OF 6



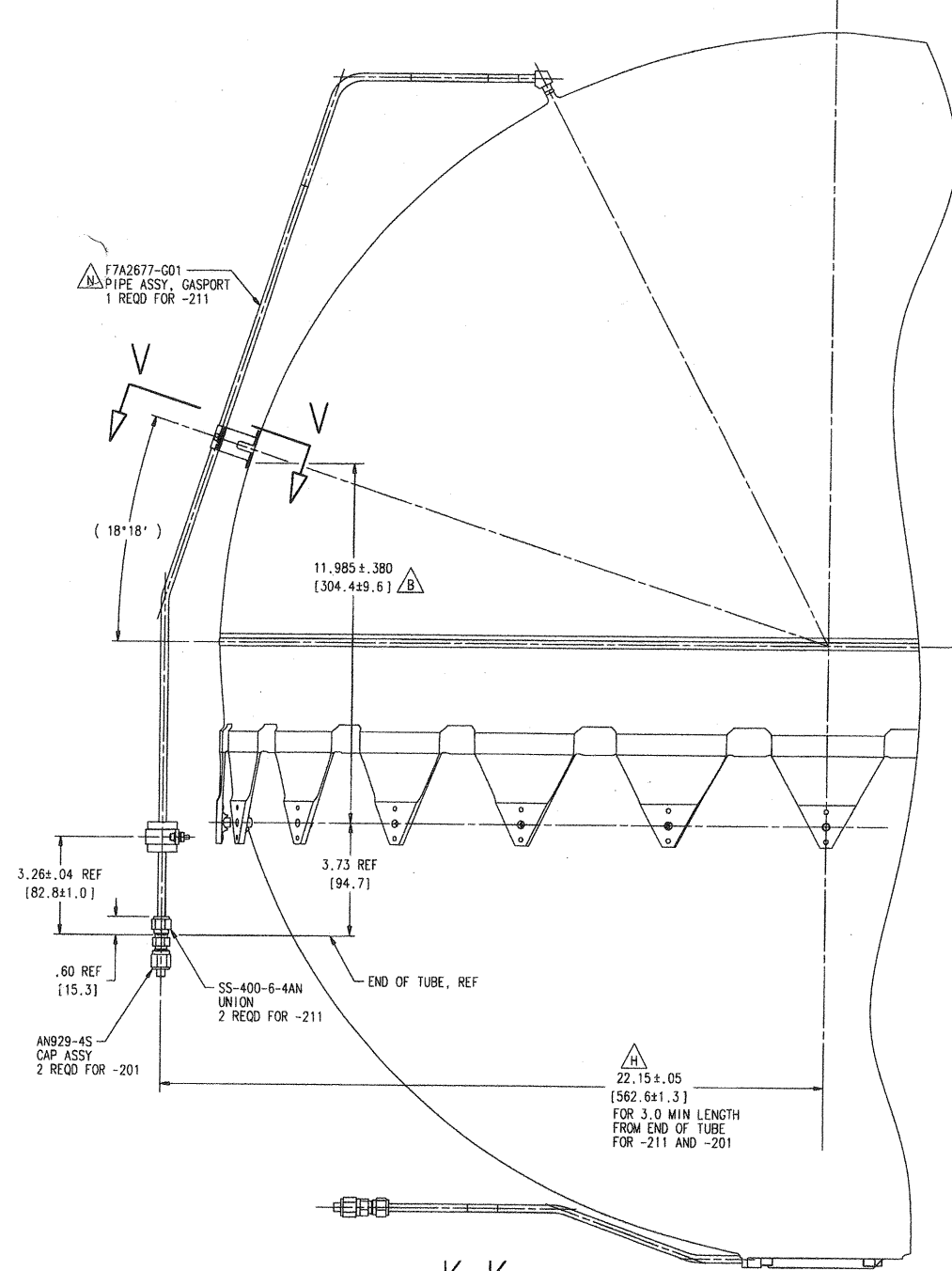
ATK SPACE SYSTEMS, INC.
 LOS ANGELES, CALIFORNIA

PROPELLANT TANK ASSY

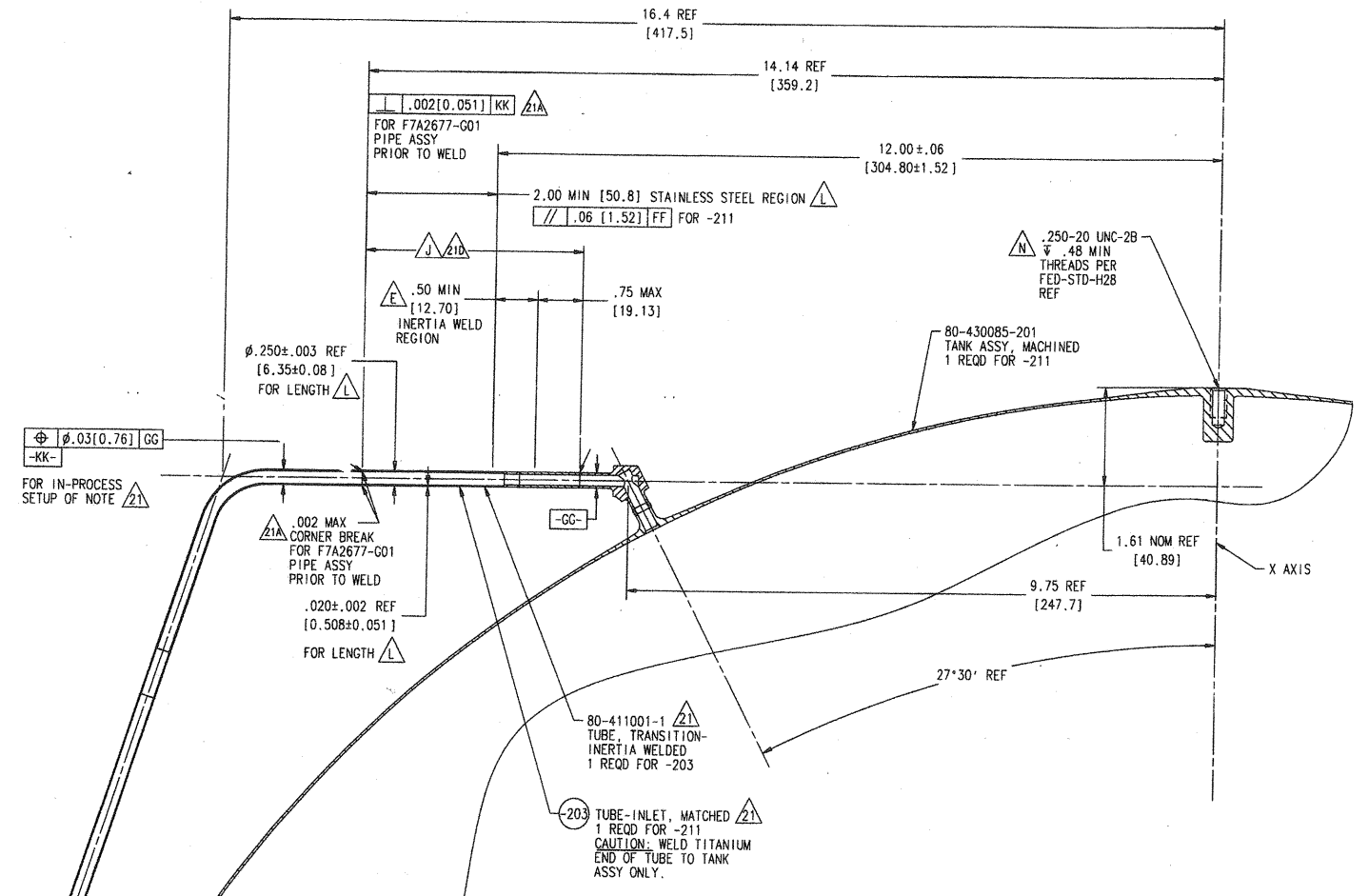
CAGE CODE	SIZE	QWG NO.	REV.
18229	E	80430	NC
SCALE: 1/1	SHEET		5 OF 6



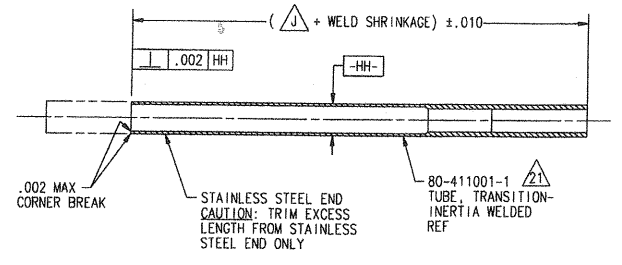
VIEW V-V
PARTIAL BACKGROUND OMITTED FOR CLARITY
SCALE: 2/1



VIEW K-K SHEET 4
ROTATED 45° CLOCKWISE
SCALE: 1/2



SECTION A-A SHEET 4
VIEW ROTATED 45° CLOCKWISE
SCALE: 1/1



DETAIL -203
SCALE: 2/1

ATK SPACE SYSTEMS, INC.
LOS ANGELES, CALIFORNIA

PROPELLANT TANK ASSY

CAGE CODE	SIZE	DWG NO.	REV.
18229	E	80430	NC
SCALE: AS NOTED		SHEET 6 OF 6	