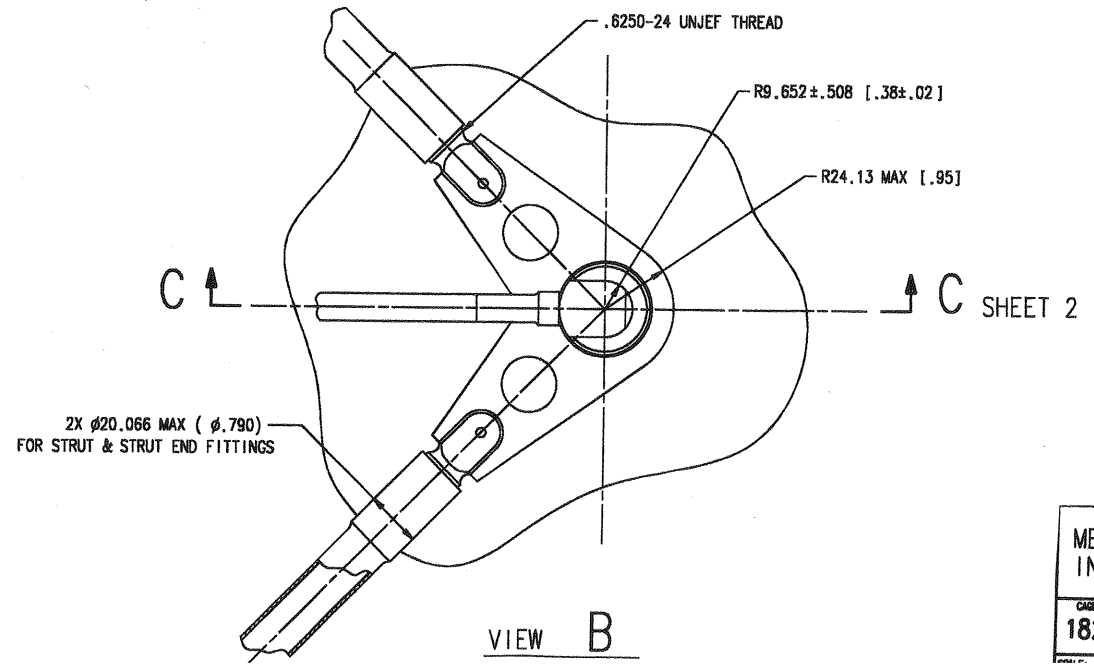
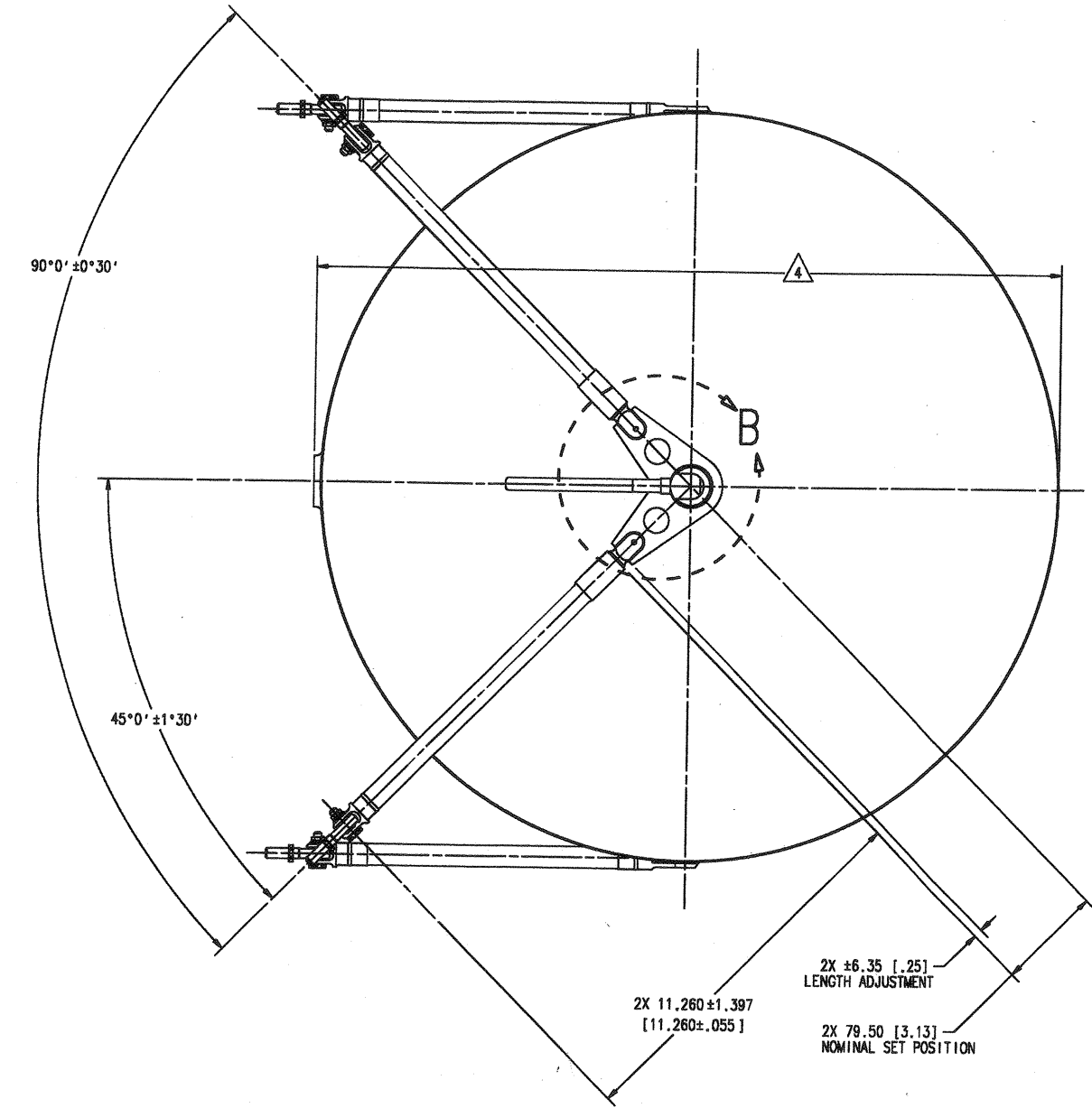
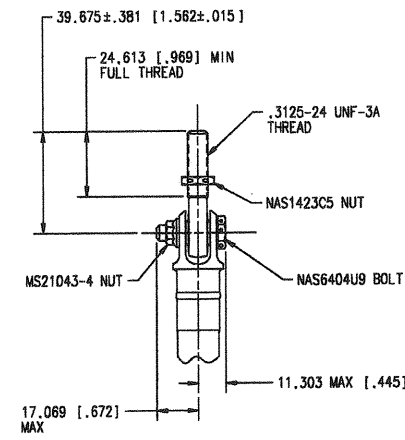


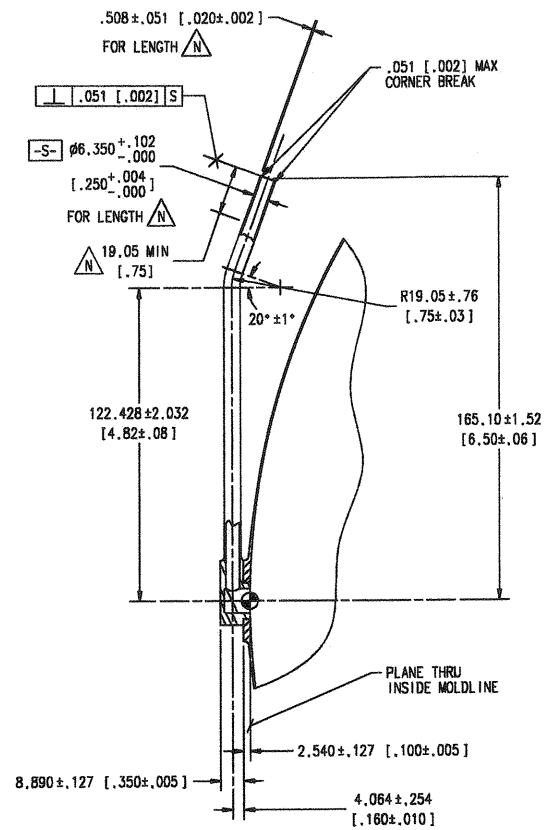
Y SHEET 2



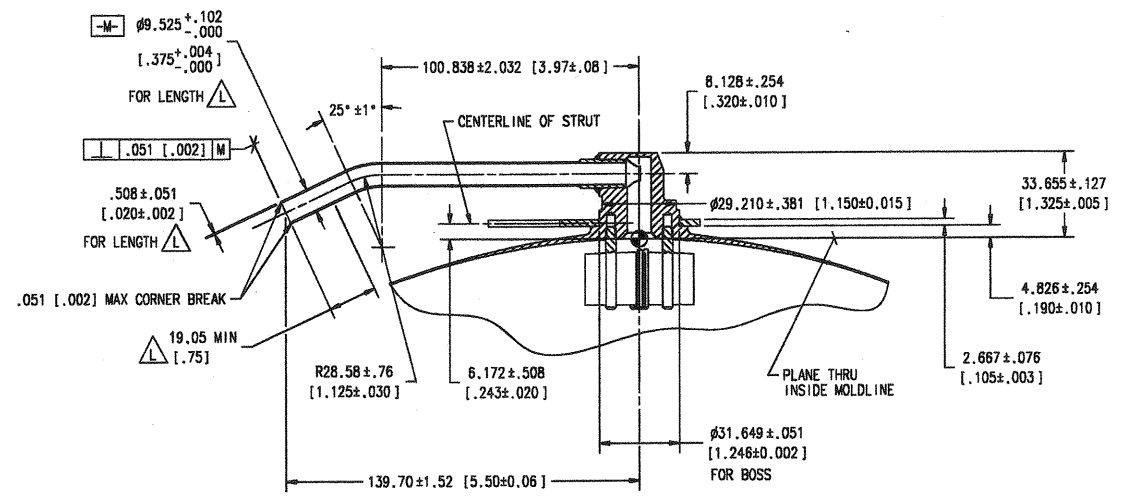
MESSENGER PROPELLANT TANK INTERFACE CONTROL DRAWING			
CASE CODE	SIZE	FIG. NO.	REV.
18229	E	804331CD	NC



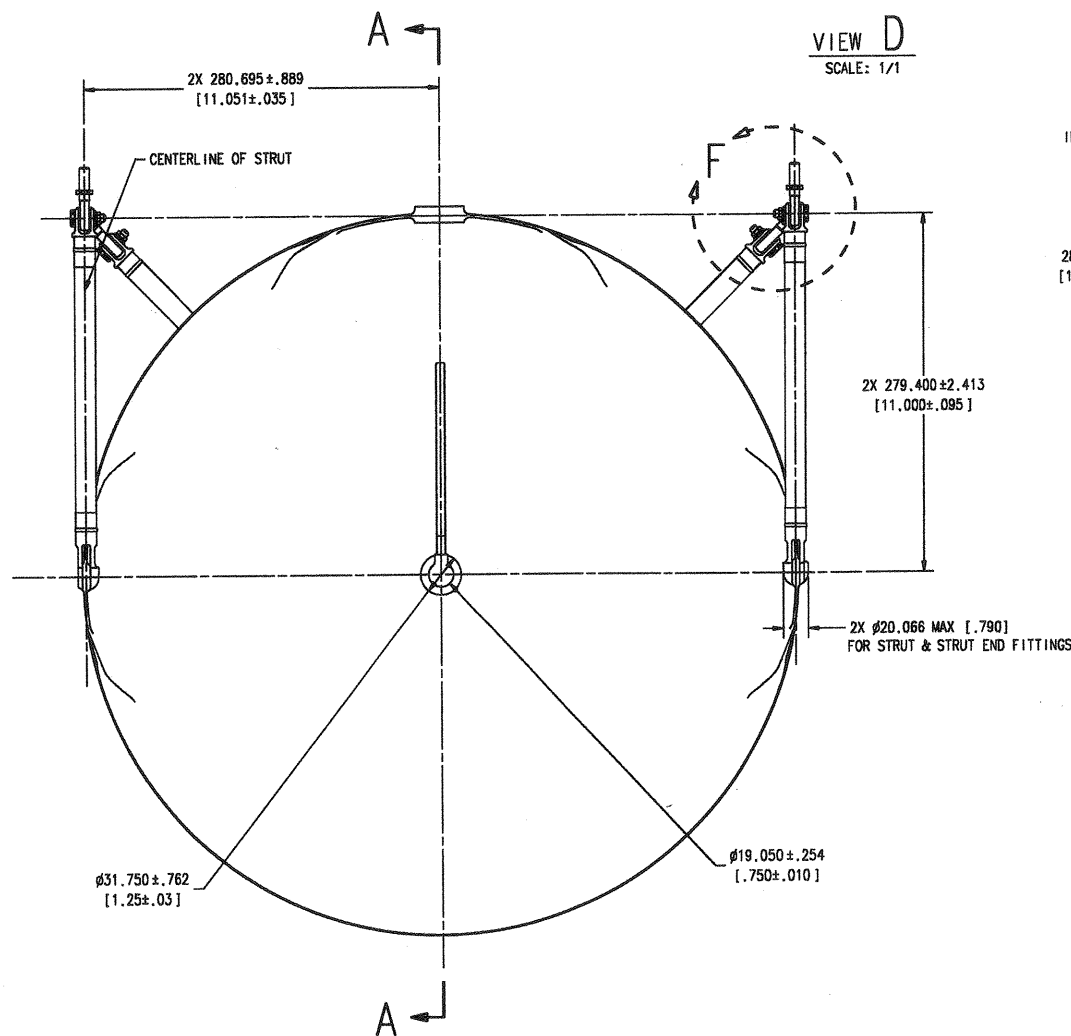
VIEW F
SCALE: 1/1
TYPICAL ALL STRUT ENDS



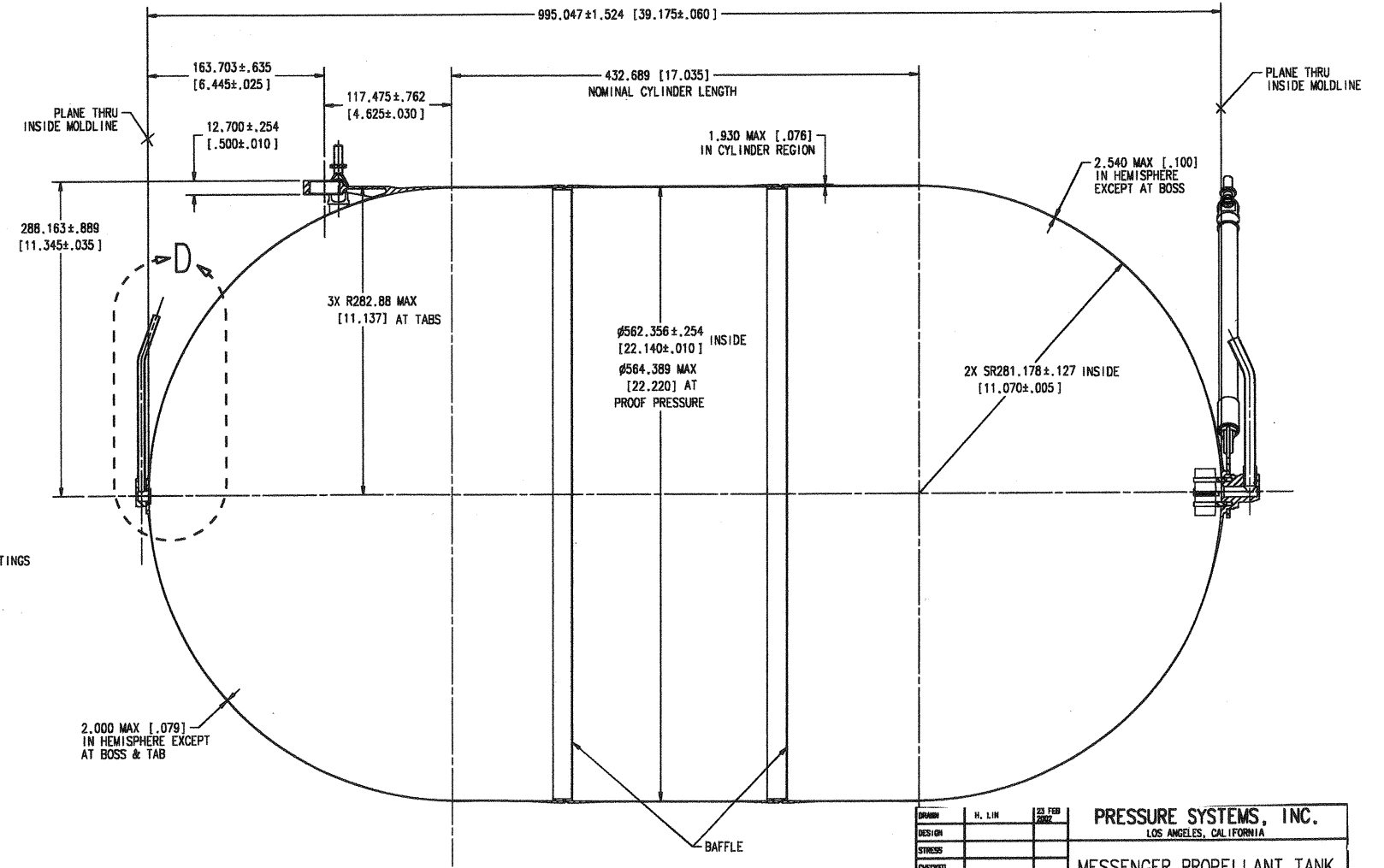
VIEW D
SCALE: 1/1



SECTION C-C SHEET 1
SCALE: 1/1
STRUT & BOOMERANG ATTACHMENT
FITTING OMITTED FOR CLARITY



VIEW Y-Y SHEET 1



SECTION A-A

DESIGN	H. LIN	23 FEB 2002	PRESSURE SYSTEMS, INC. LOS ANGELES, CALIFORNIA	
STRESS			MESSENGER PROPELLANT TANK INTERFACE CONTROL DRAWING	
CHECKED			DATE CODE	REV.
RELIABILITY			18229	E
QUALITY			SIZE	804431CD
APPROVED			DWG NO.	NC
APPROVED			SCALE: 1/2	SHEET 2 OF 2