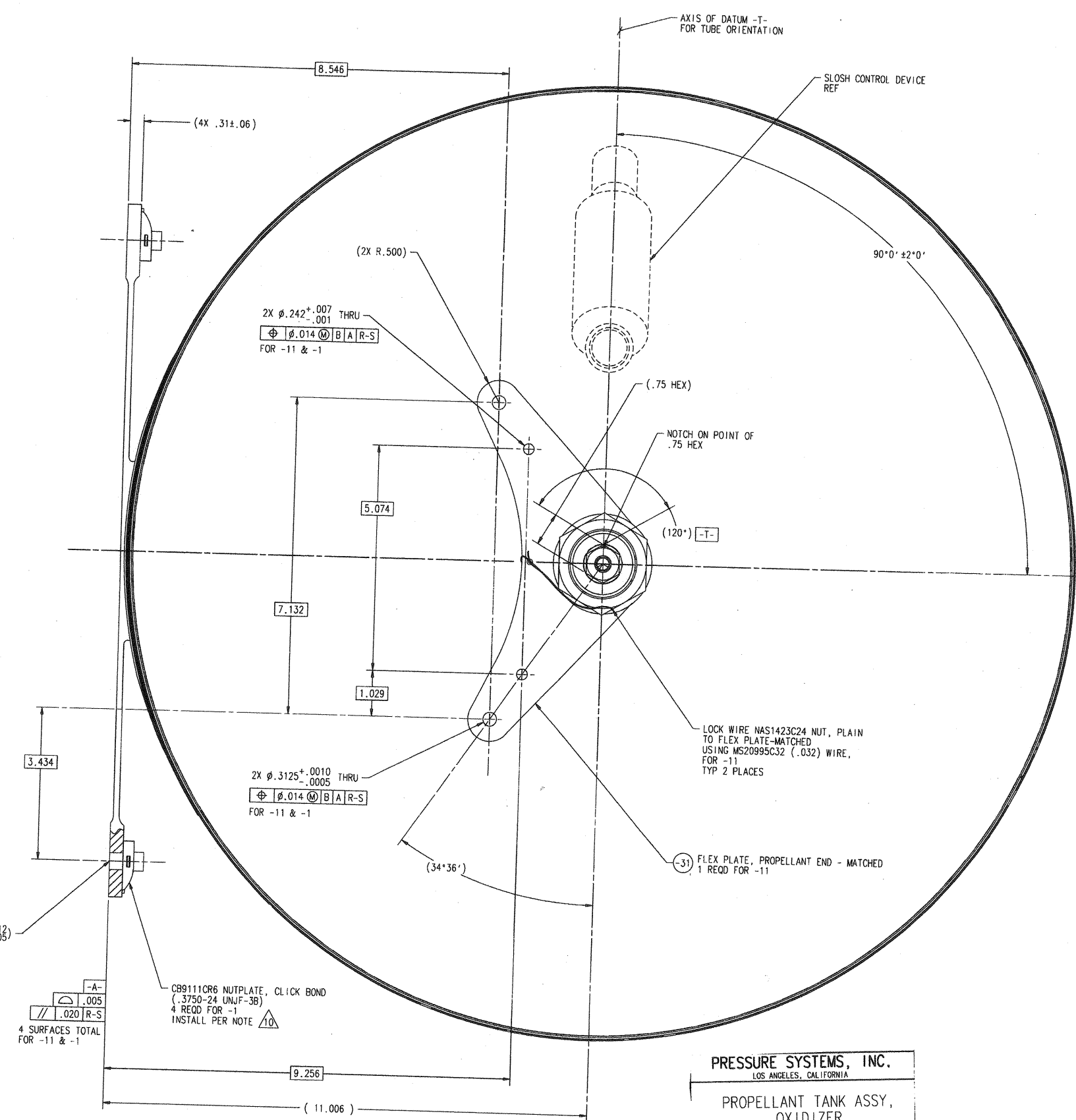
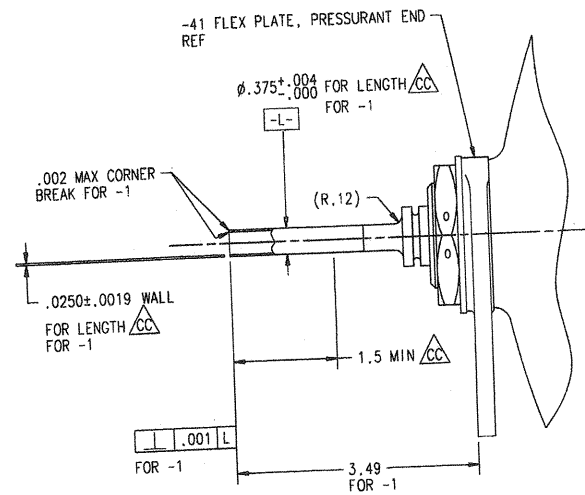


VIEW E-E SHEET 1

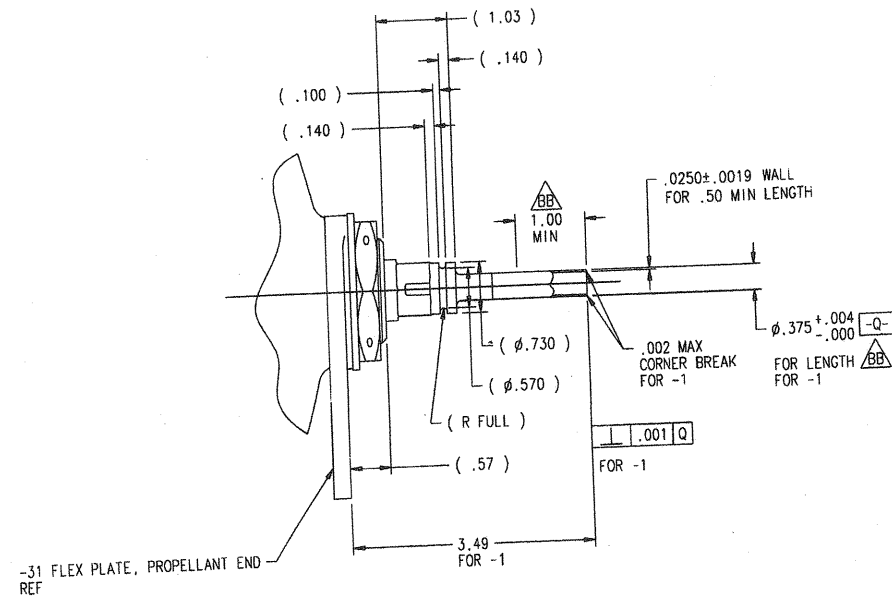


VIEW F-F SHEET 1

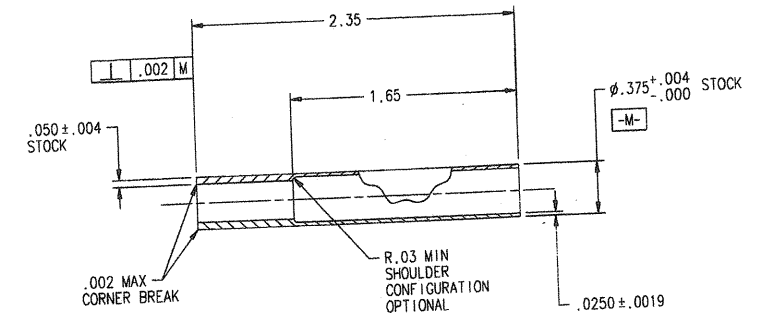
PRESSURE SYSTEMS, INC. LOS ANGELES, CALIFORNIA			
PROPELLANT TANK ASSY, OXIDIZER			
CAGE CODE 18229	SIZE E	QWC NO. 80435	REV. A
SCALE: 1/1		SHEET 2 OF 4	



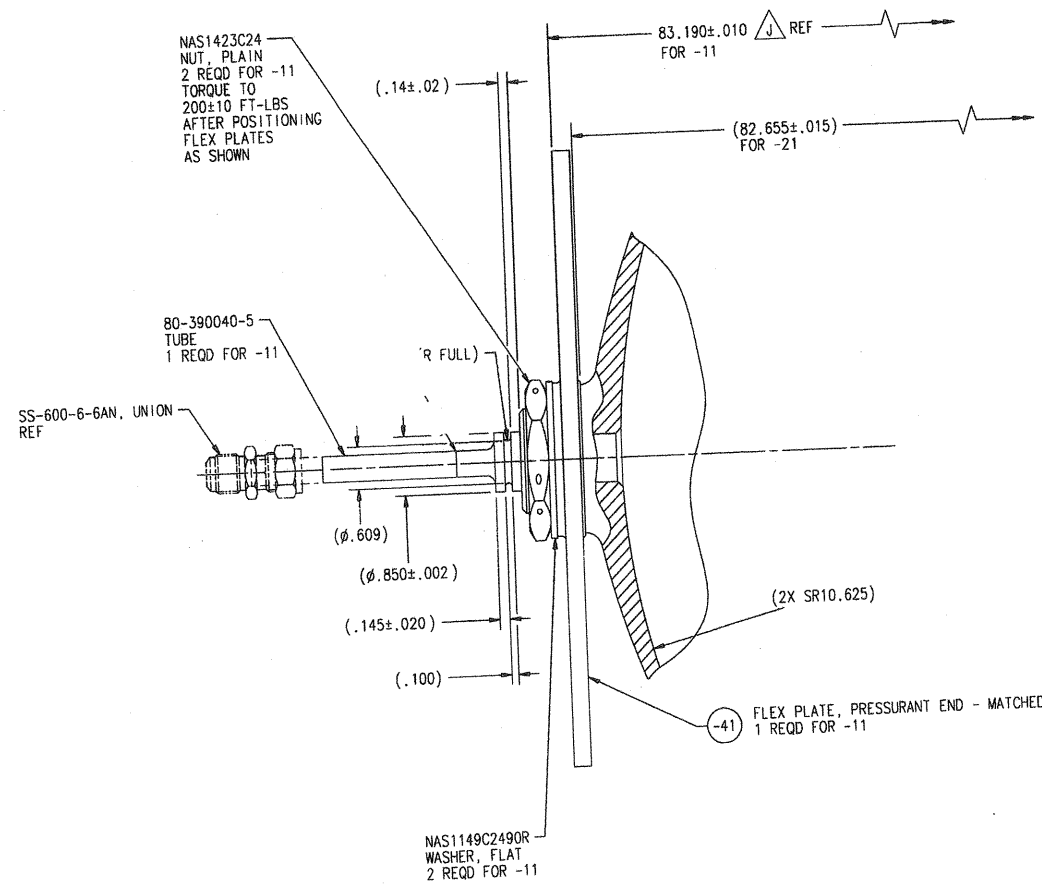
VIEW D SHEET 1



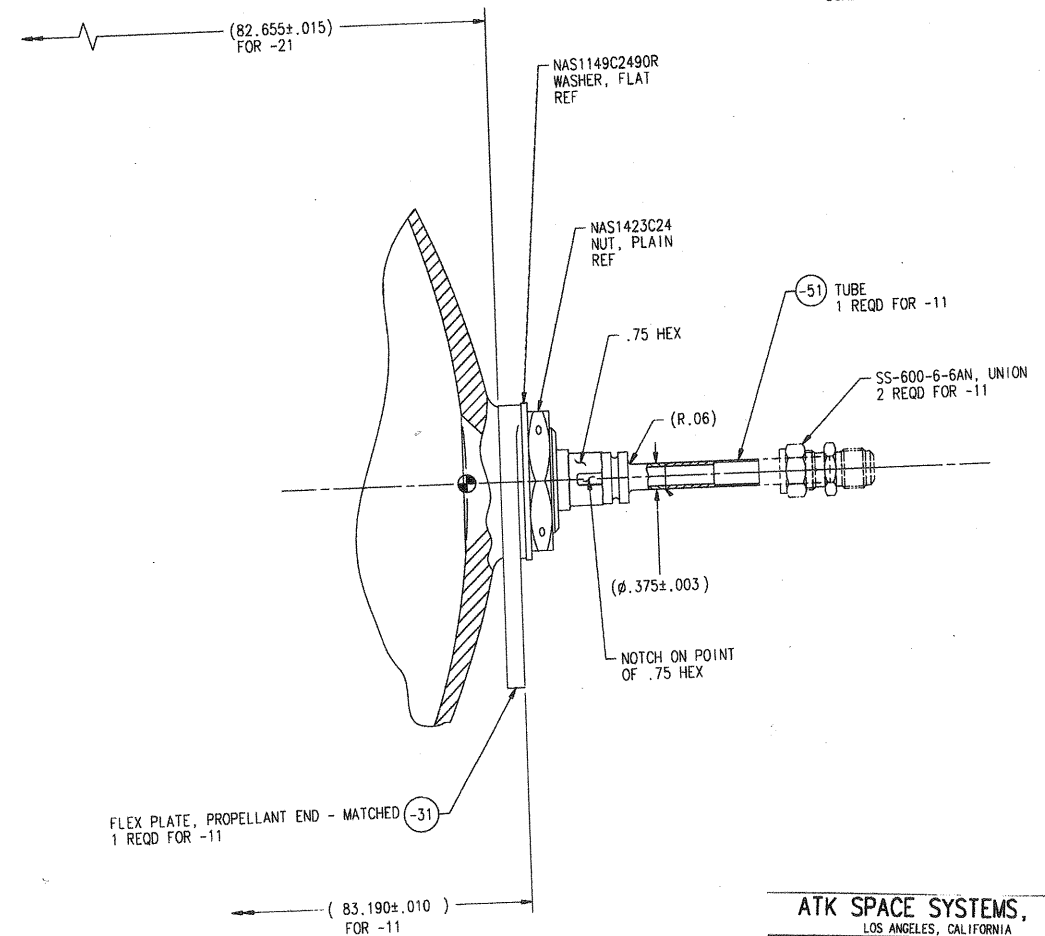
VIEW C SHEET 1



DETAIL -51
SCALE: 2/1



VIEW G SHEET 1



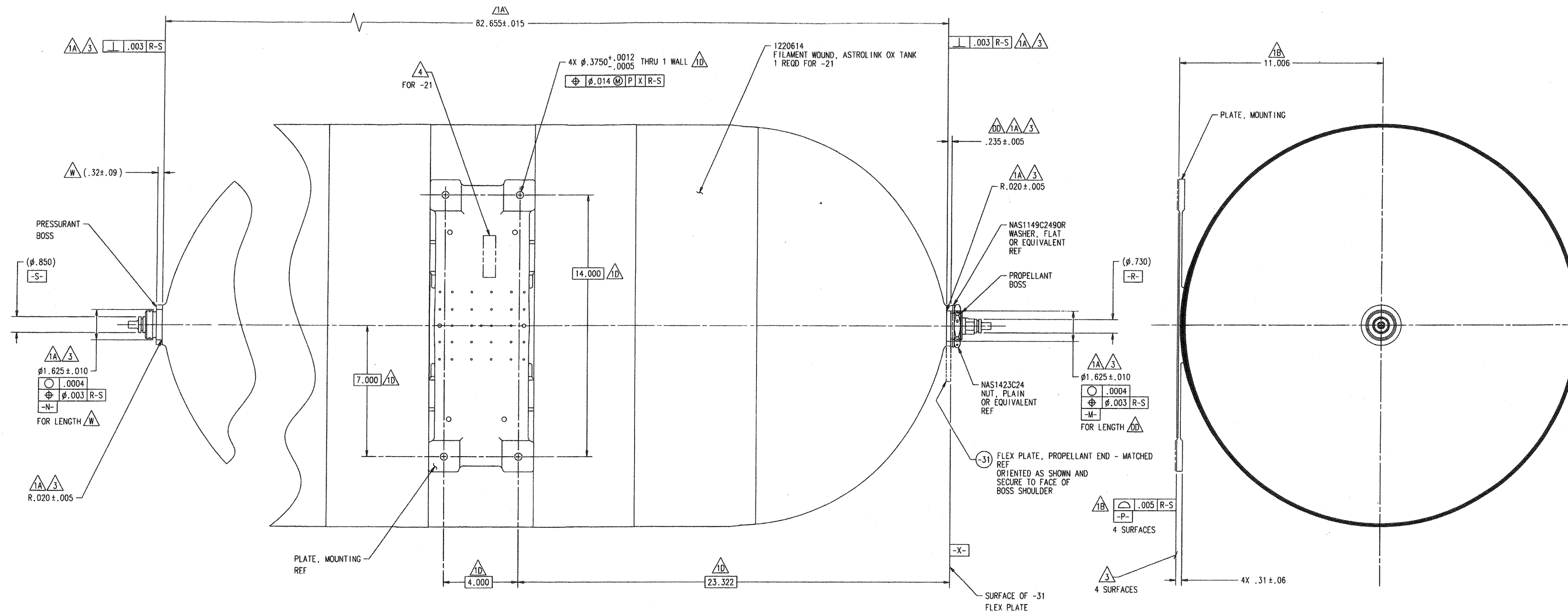
VIEW H SHEET 1

ATK SPACE SYSTEMS, INC.
LOS ANGELES, CALIFORNIA

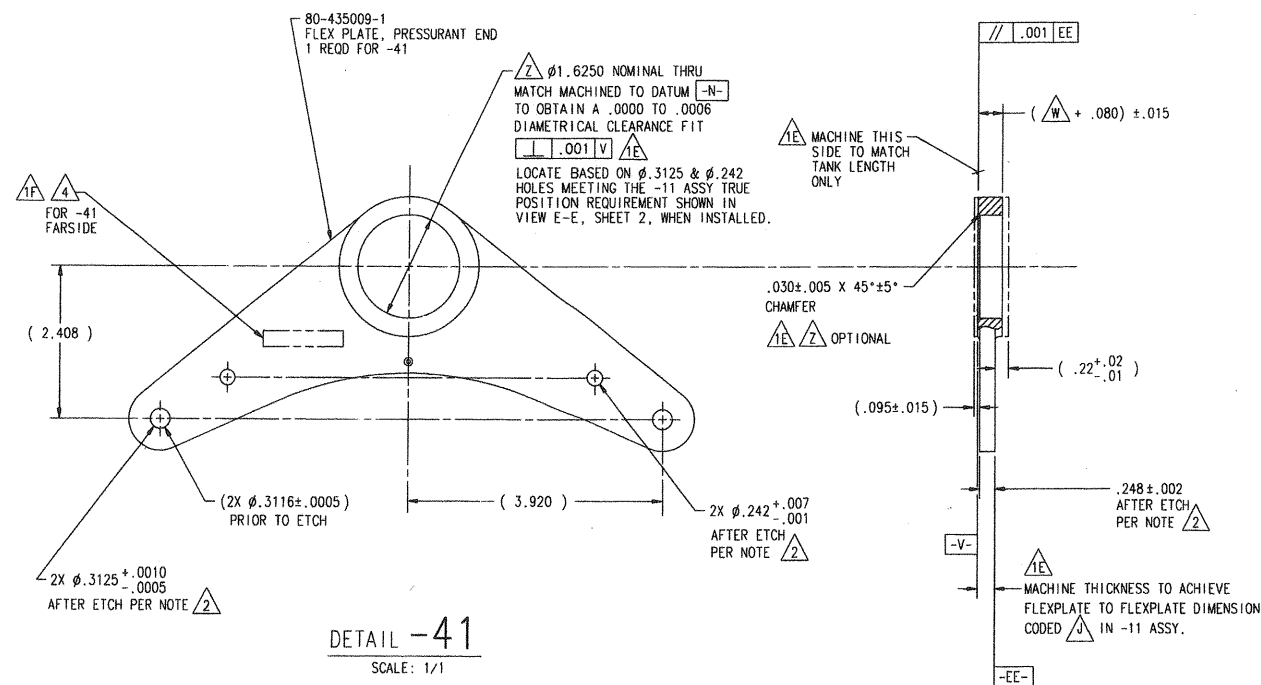
PROPELLANT TANK ASSY,
OXIDIZER

CAGE CODE	SIZE	ENG. NO.	REV.
18229	E	80435	B

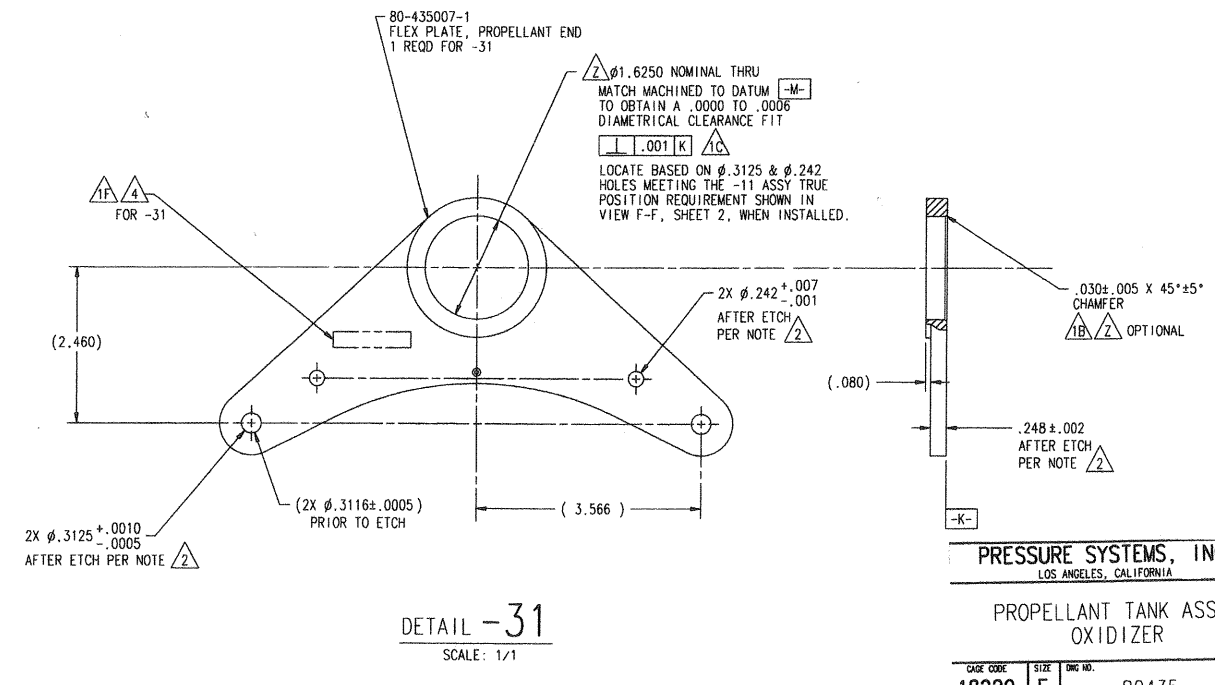
SCALE: 1/1 SHEET 3 OF 4



-21 ASSY



DETAIL -41
SCALE: 1/1



DETAIL -31
SCALE: 1/1

PRESSURE SYSTEMS, INC. LOS ANGELES, CALIFORNIA			
PROPELLANT TANK ASSY, OXIDIZER			
QTY CODE 18229	SIZE E	QTY NO. 80435	REV. NC
SCALE: 1/2 & NOTED		SHEET 4 OF 4	