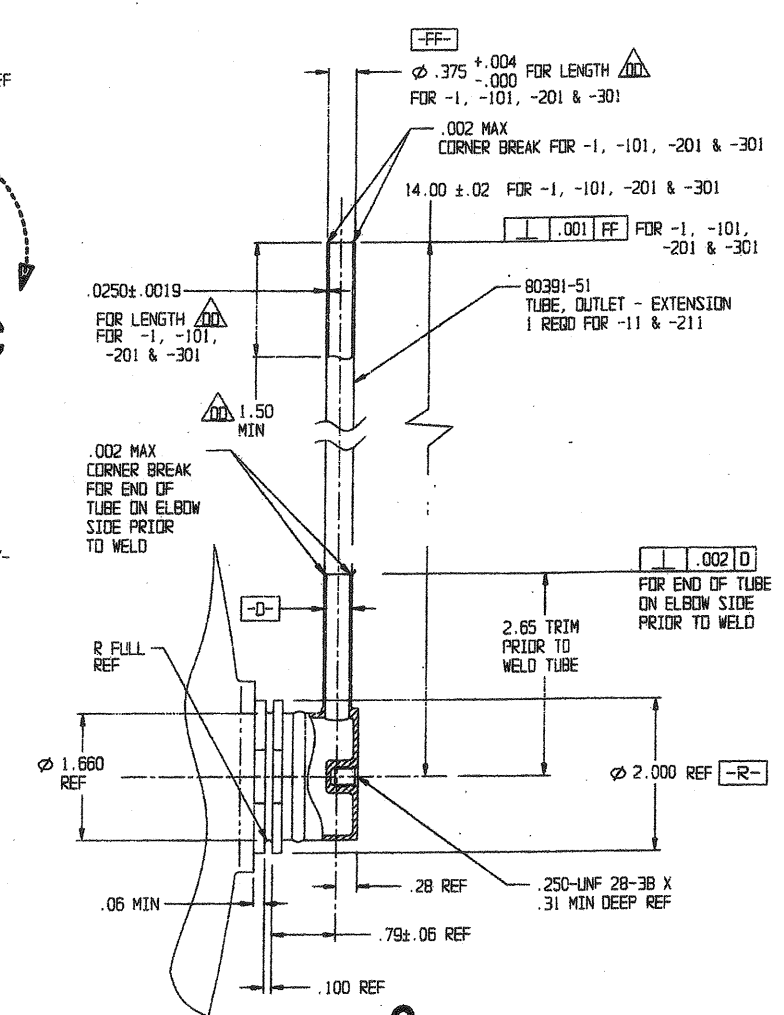
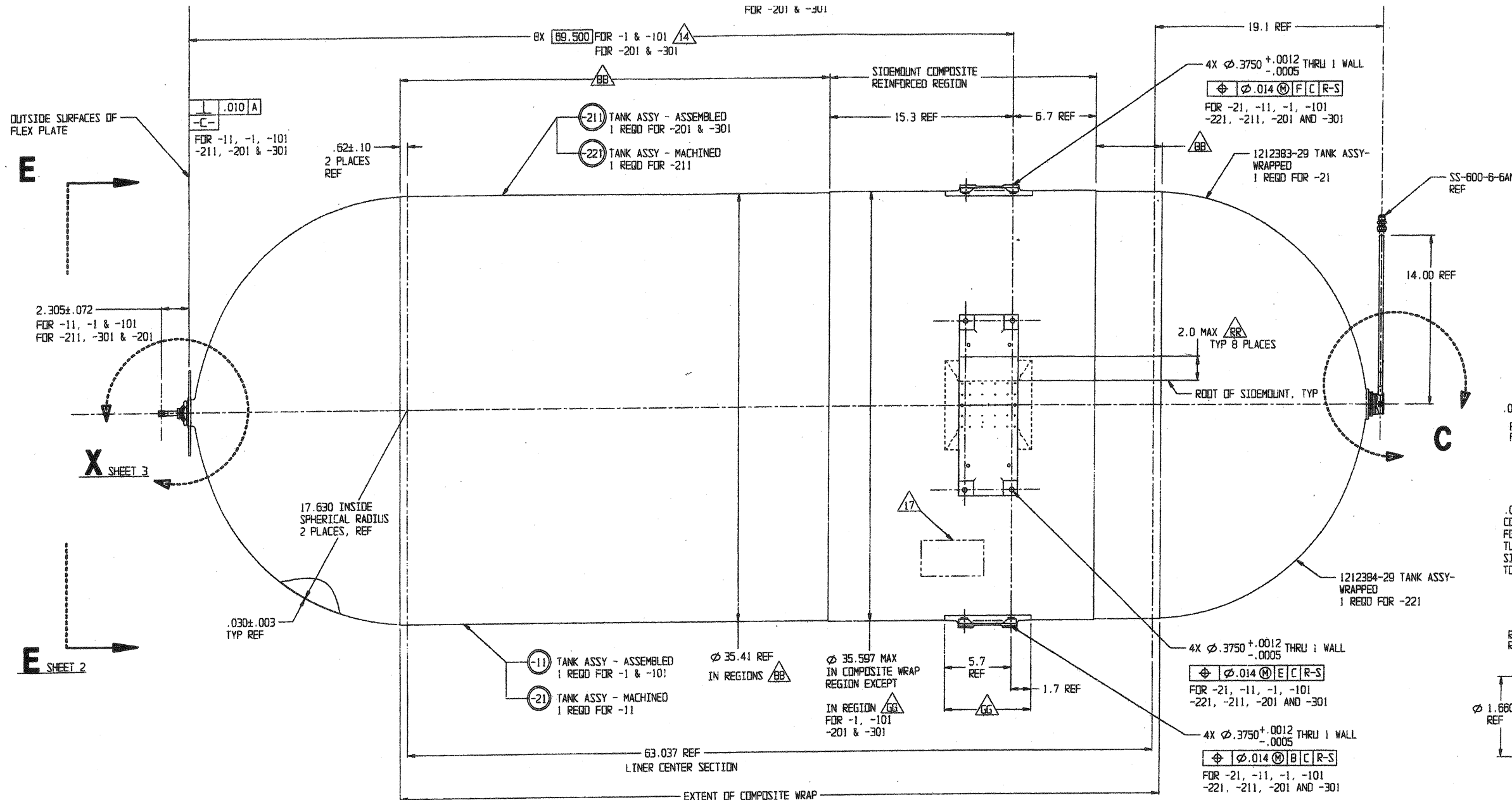


FOR -201 & -301



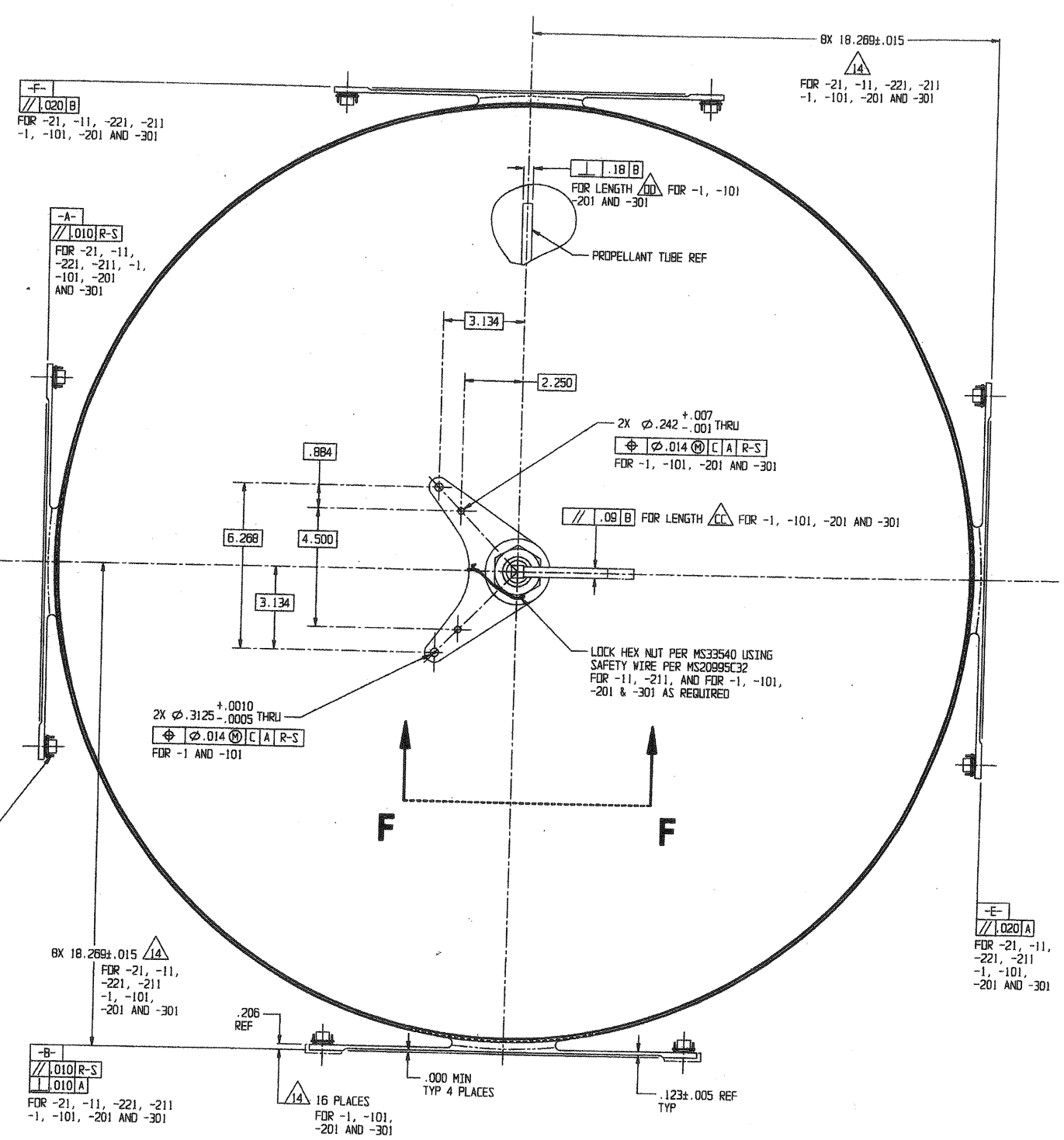
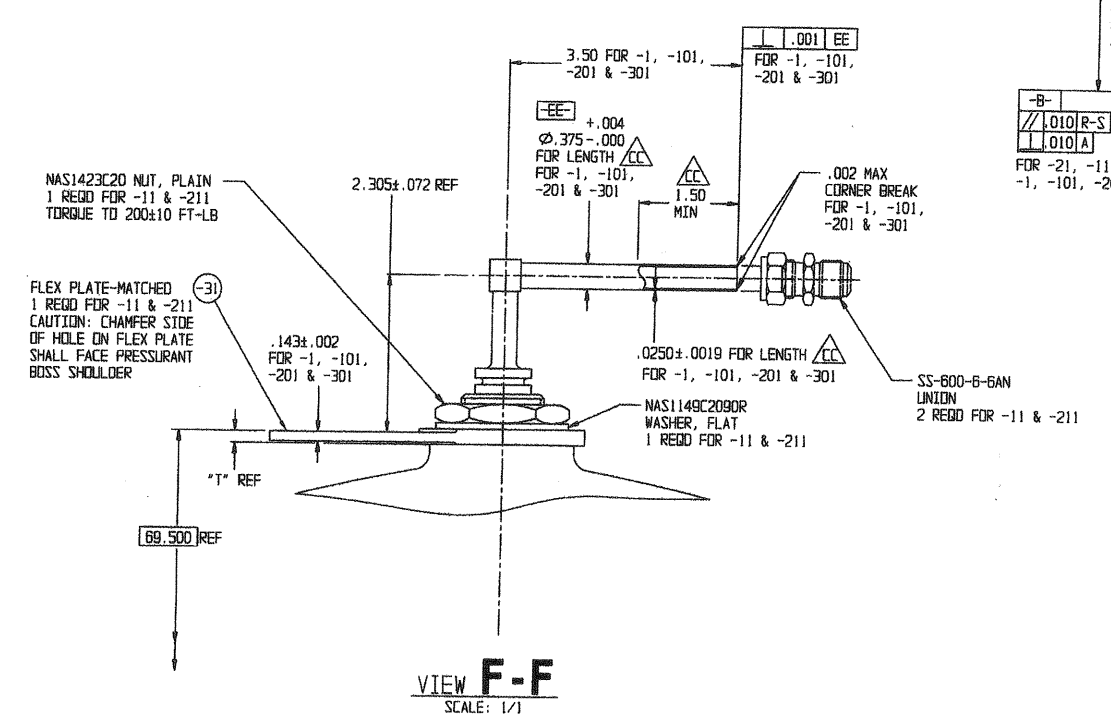
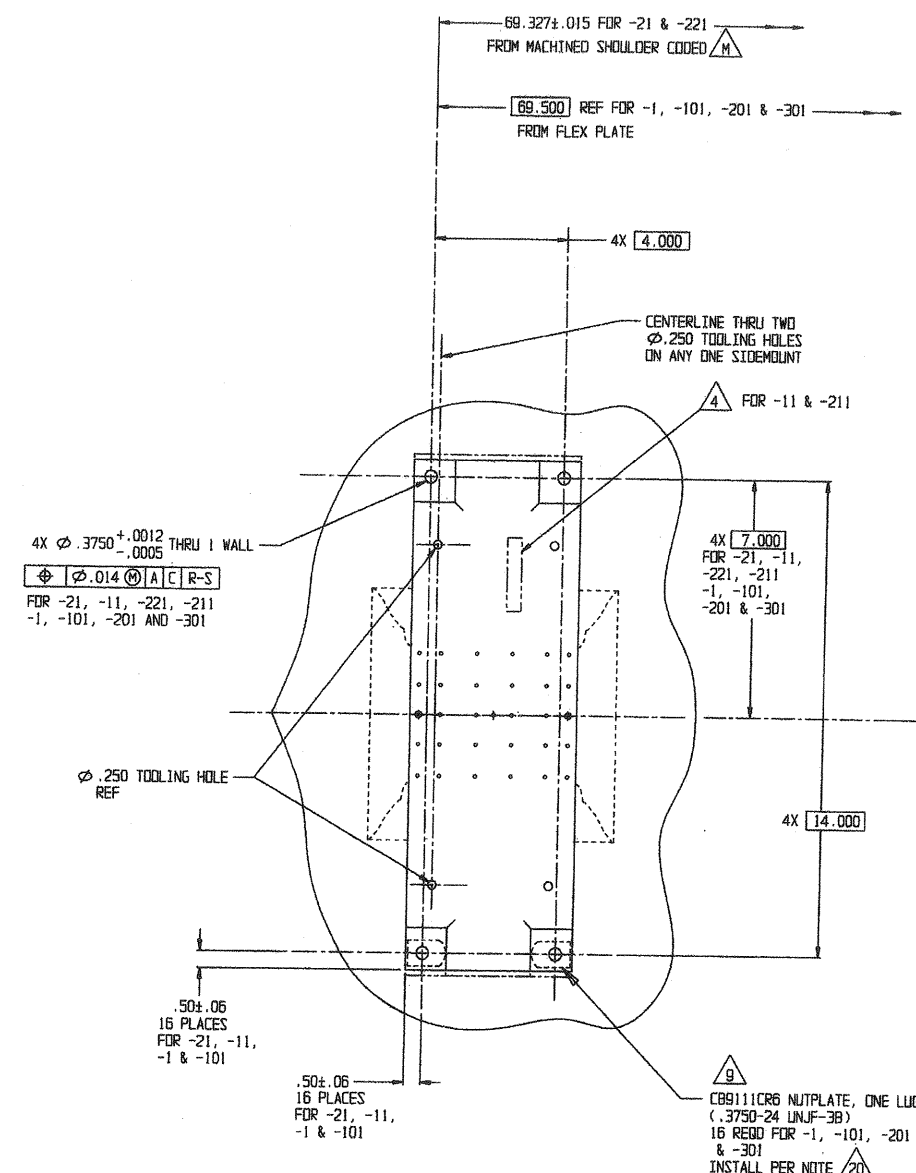
VIEW C  
SCALE: 1/1

**ATK SPACE SYSTEMS, INC.**  
LOS ANGELES, CALIFORNIA

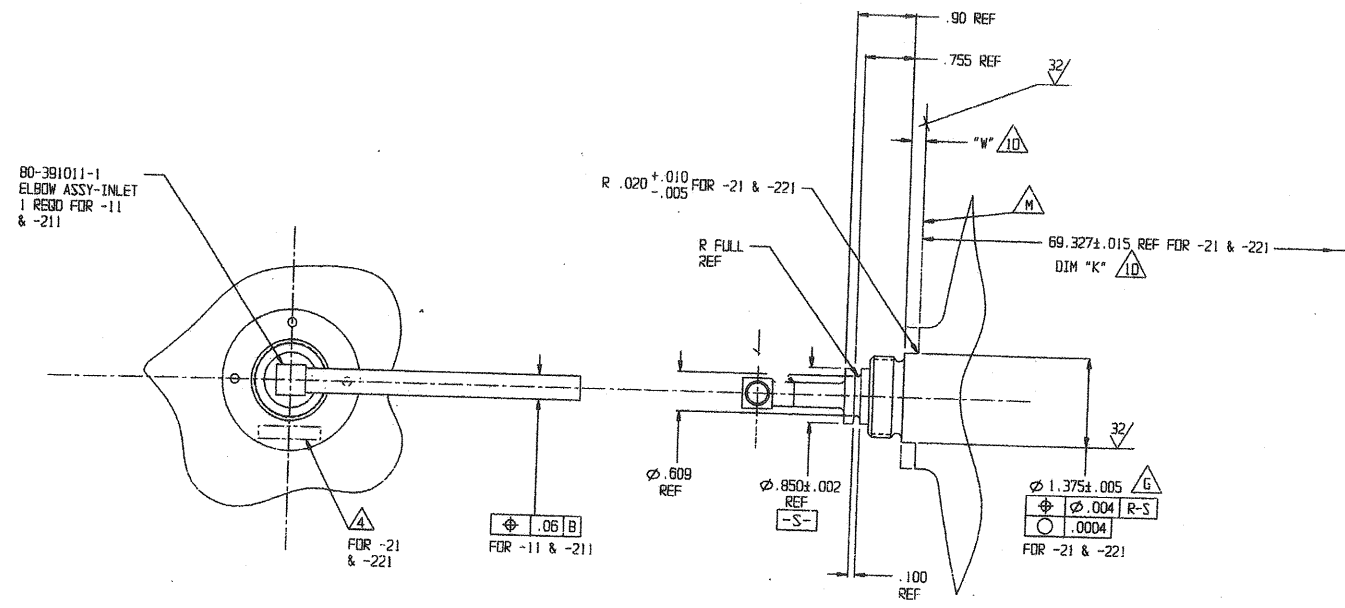
PROPELLANT TANK ASSY -  
FUEL, P100 & P101/SBIRS

CAGE CODE	SIZE	DWG NO.	REV.
18229	E	80443	E

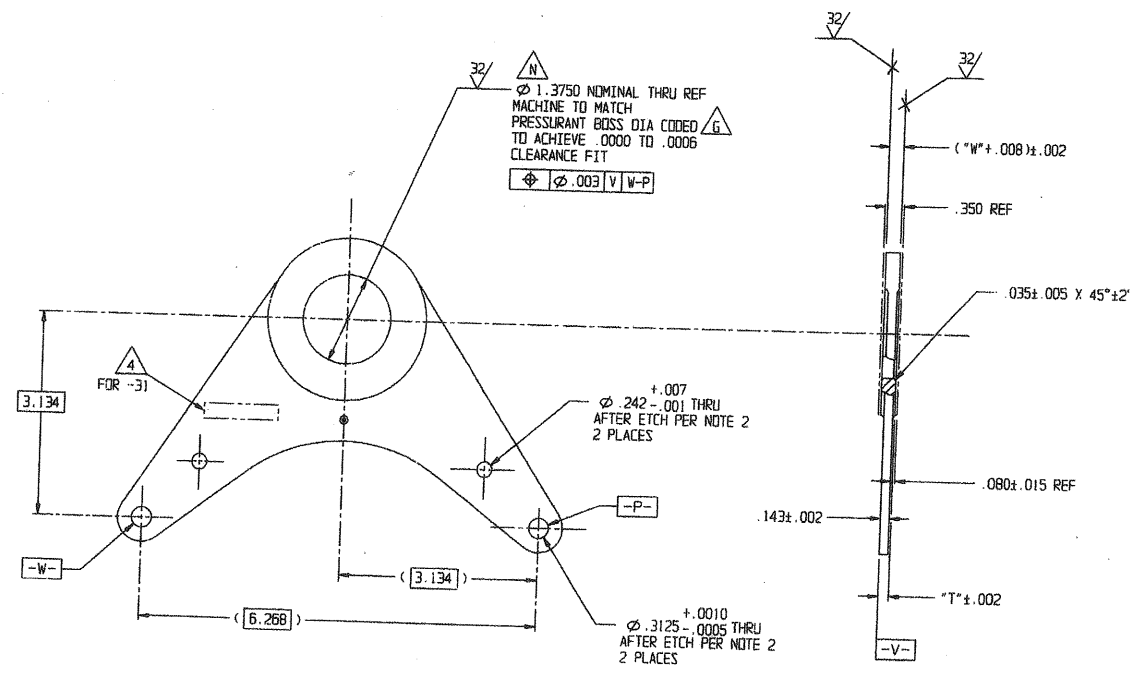
SCALE: 1/4 SHEET 1 OF 3



<b>ATK SPACE SYSTEMS, INC.</b> LOS ANGELES, CALIFORNIA			
PROPELLANT TANK ASSY - FUEL, P100/SBIRS			
CAGE CODE	SIZE	DWG NO.	REV.
18229	E	80443	A
SCALE: 1/2		SHEET 2 OF 3	



**VIEW X SHEET 1**  
 -31 FLEX PLATE - MATCHED &  
 NAS1149C2090R WASHER & NAS1423C20 NUT  
 OMITTED FOR CLARITY



**DETAIL -31**

<b>ATK SPACE SYSTEMS, INC.</b>			
LOS ANGELES, CALIFORNIA			
PROPELLANT TANK ASSY - FUEL, P100/SBIRS			
CAGE CODE	SIZE	DWG NO.	REV.
18229	E	80443	C