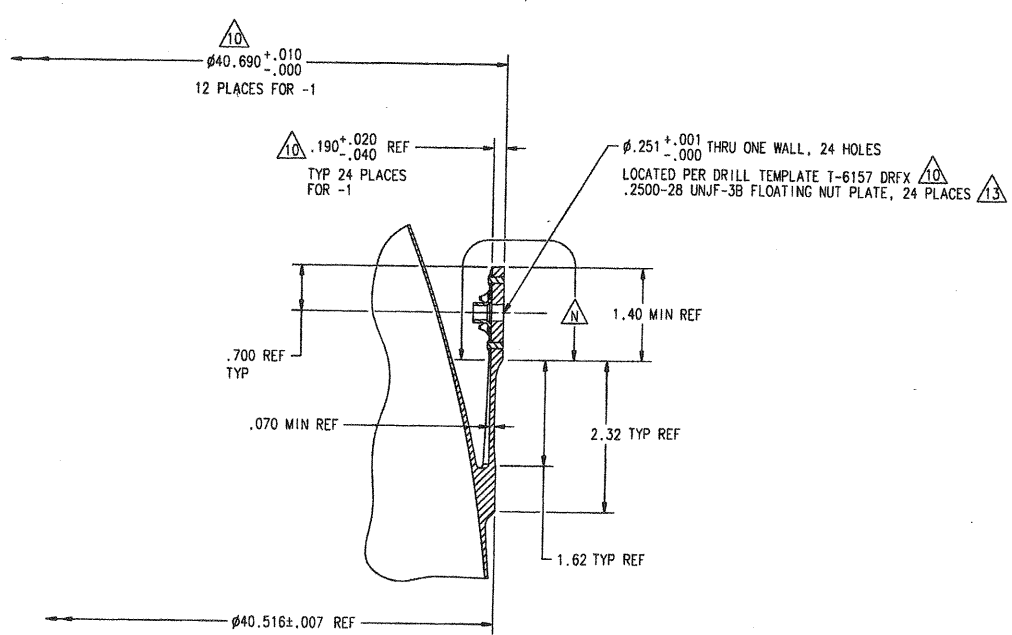
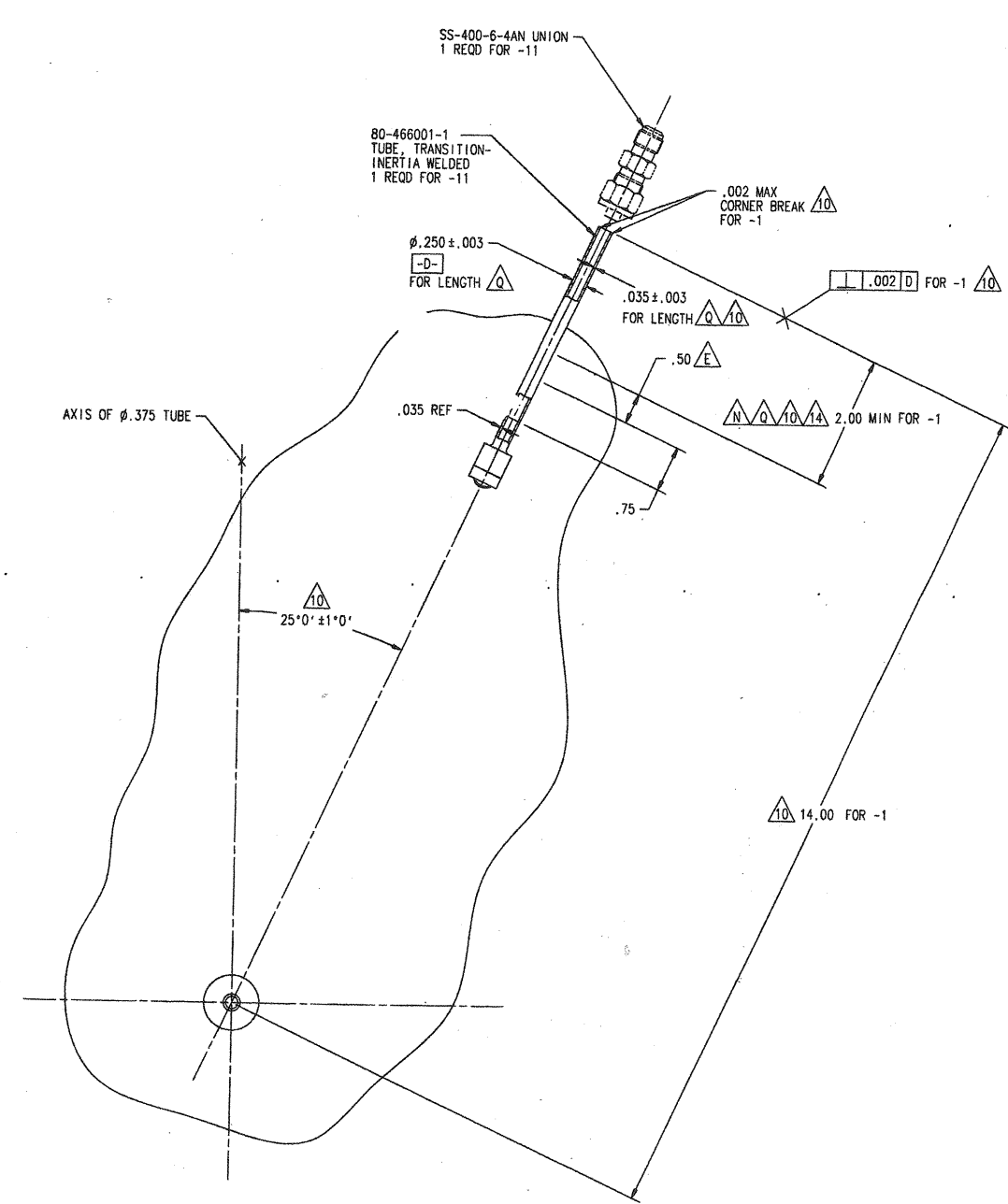


VIEW G SHEET 1



SECTION J-J SHEET 1  
VIEW ROTATED 7°30' COUNTERCLOCKWISE  
BACKGROUND GEOMETRY REMOVED FOR CLARITY  
TYP 24 TABS



VIEW K SHEET 1

PRESSURE SYSTEMS, INC. LOS ANGELES, CALIFORNIA			
PROPELLANT TANK ASSY			
CAGE CODE 18229	SIZE E	DRG NO. 80466	REV. NC
SCALE: 1/1		SHEET 2 OF 2	