

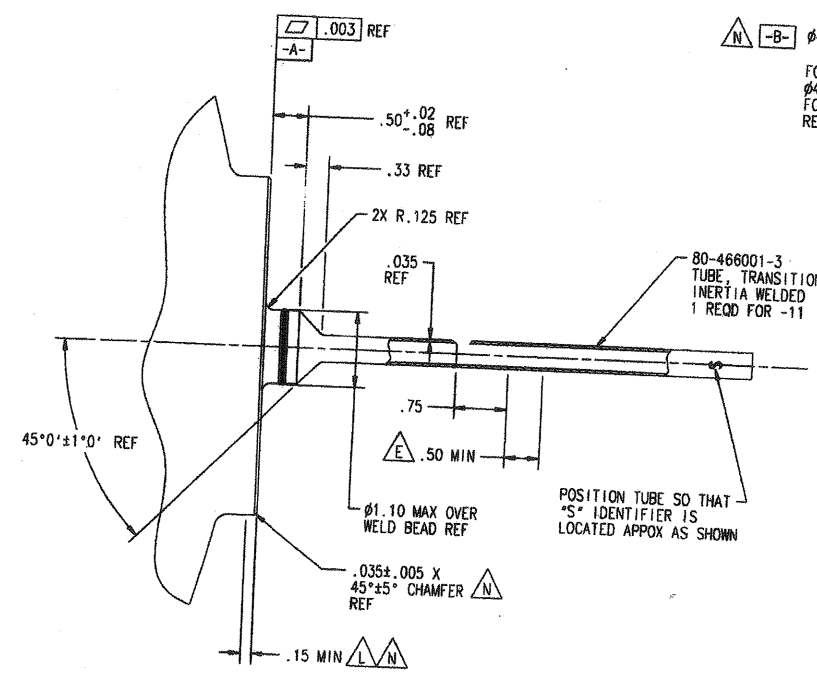
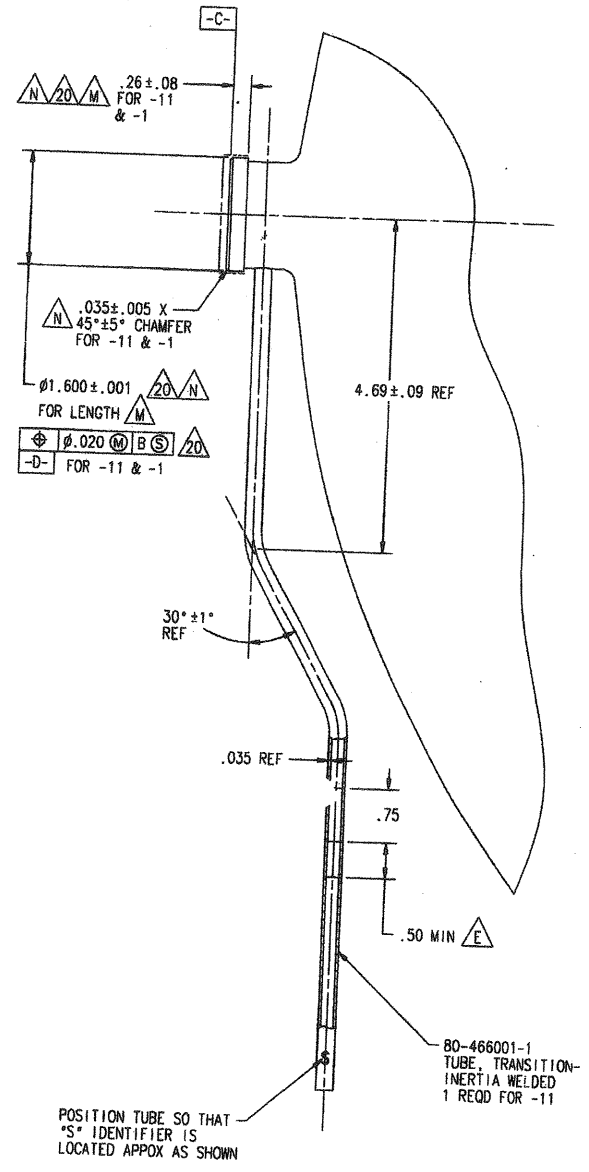
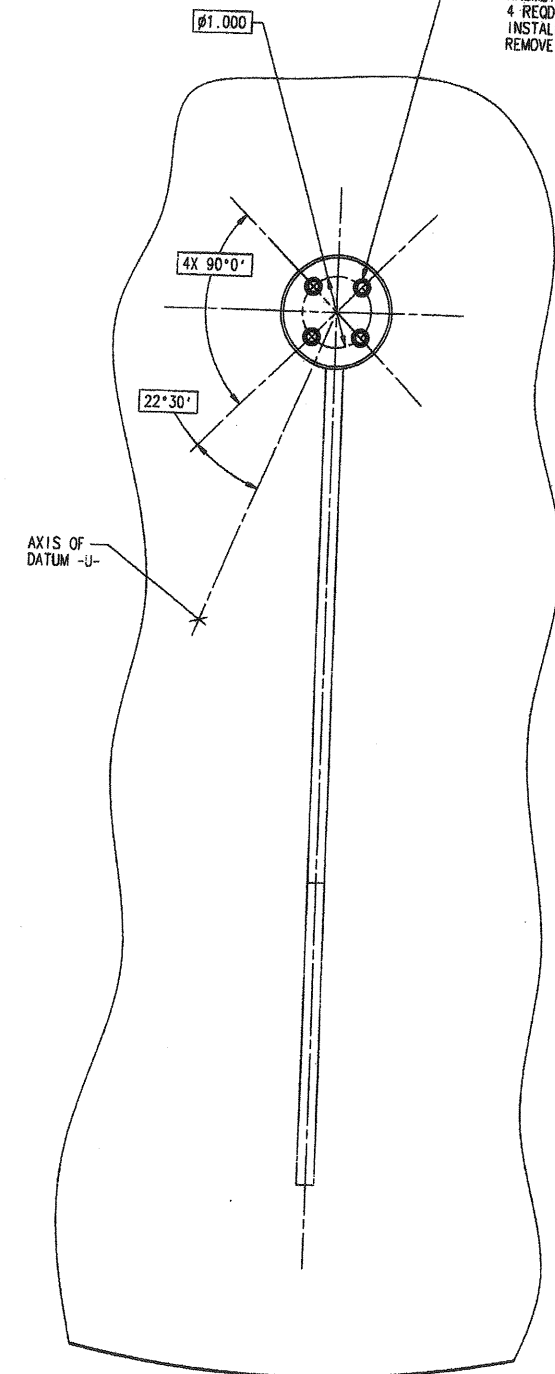
PRESSURE SYSTEMS, INC.
LOS ANGELES, CALIFORNIA

PROPELLANT TANK ASSY

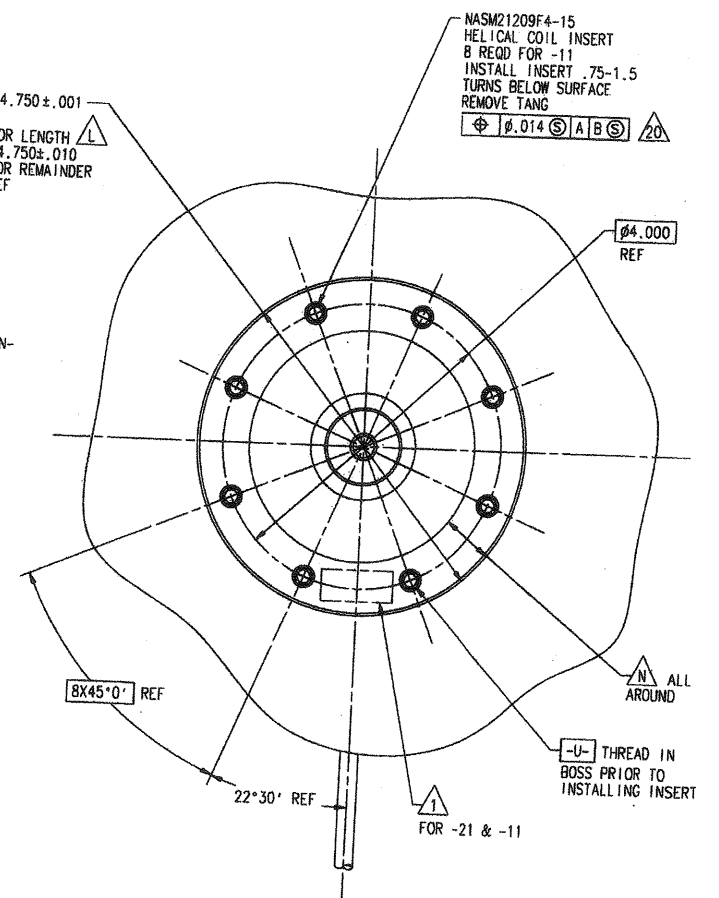
CAGE CODE	SIZE	DRG NO.	REV.
18229	E	80474	B

SCALE: 1/2 | SHEET 1 OF 2

4X MINOR ϕ .1968 X .90U DEEP FLAT BOTTOM
 ϕ .260 X 120 \pm 5 $^\circ$ CSK
 THREAD PER NASM33537 FOR
 .1900-32 UNJF-3B HELICAL COIL INSERT
 PITCH ϕ .2123 X .320 MIN FULL THREAD
 .2103
 4 PLACES EQUALLY SPACED
 ϕ .014 (S) (C) (D) (S) (U) (20)
 NASM21209F1-15 HELICAL COIL INSERT
 4 REQ FOR -11
 INSTALL INSERT .75-1.5 TURNS BELOW SURFACE
 REMOVE TANG



VIEW J SHEET 1
 SS-600-6-6AN UNION OMITTED
 FOR CLARITY



PRESSURE SYSTEMS, INC.
 LOS ANGELES, CALIFORNIA

PROPELLANT TANK ASSY

CHG CODE	SIZE	ING NO.	REV.
18229	E	80474	NC

SCALE: 1/1 SHEET 2 OF 2