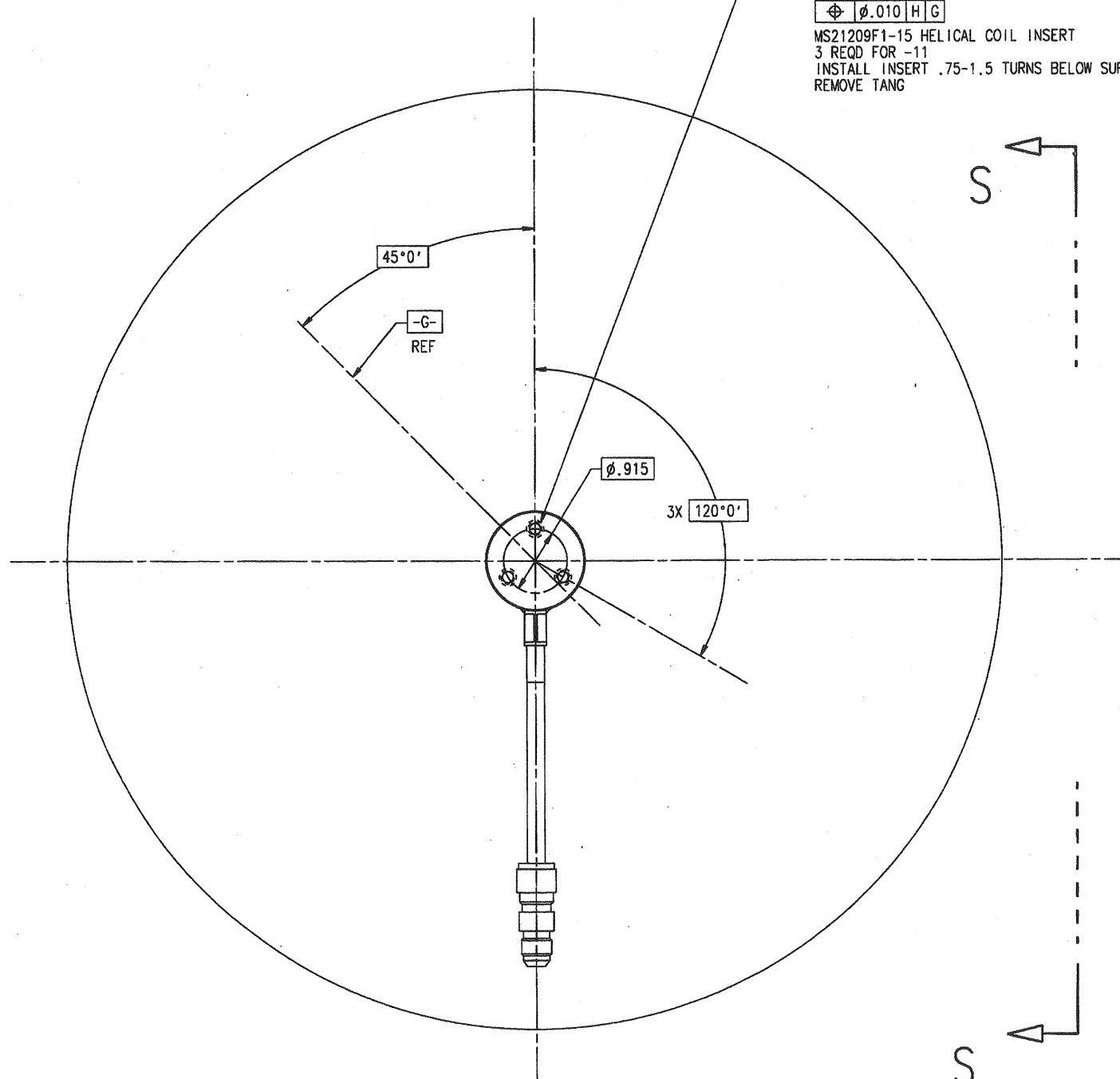
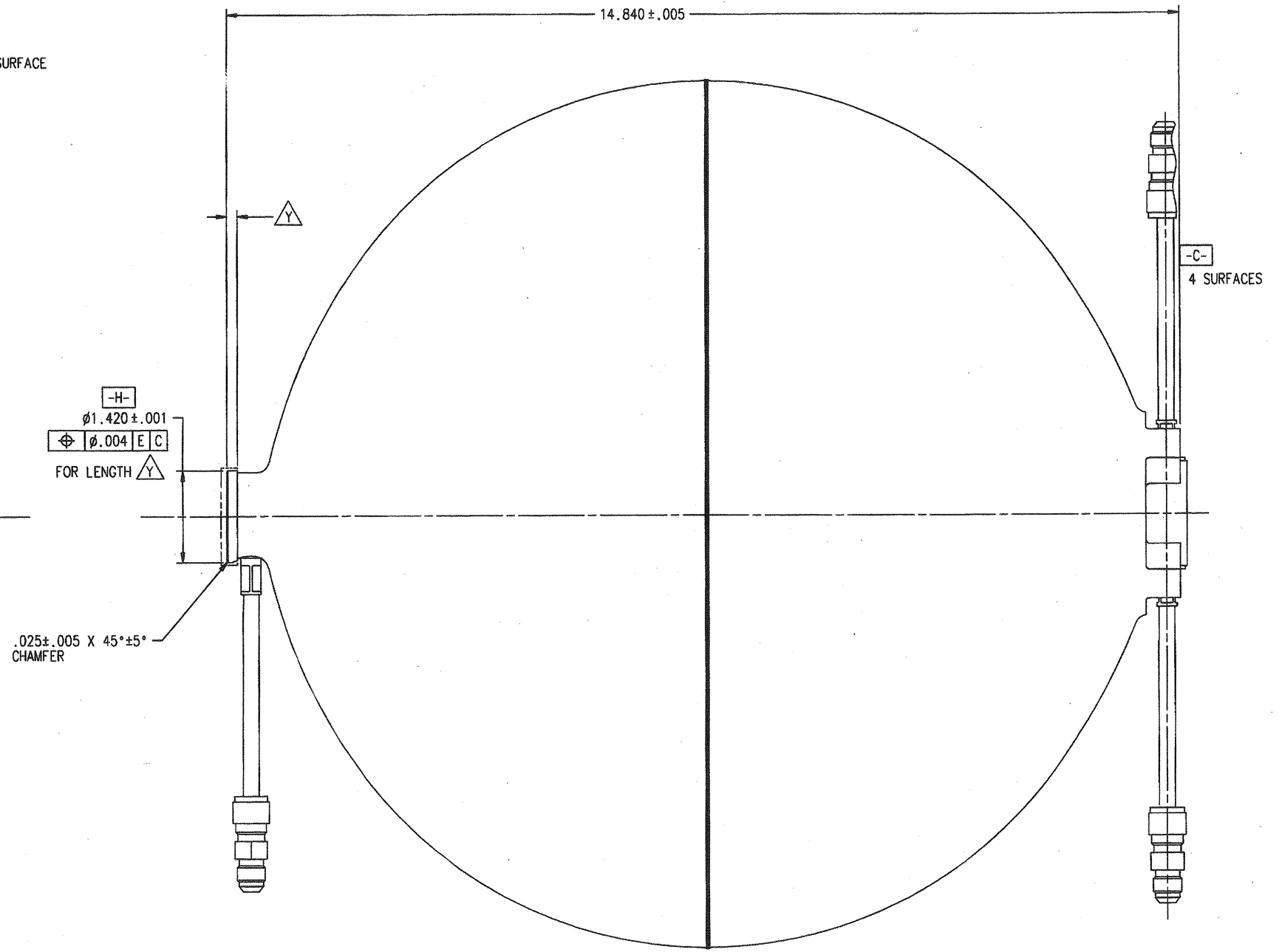


PRESSURE SYSTEMS, INC. LOS ANGELES, CALIFORNIA			
PROPELLANT TANK, OXIDIZER			
CAGE CODE 18229	SIZE E	DRG NO. 80481	REV. NC
SCALE: 1/1		SHEET 1 OF 2	

3X MINOR ϕ .2041 X .460 DEEP FLAT BOTTOM
 ϕ .260 X $120^{\circ} \pm 5^{\circ}$ CSK
 THREAD PER NASM33537 FOR
 .1900-32 UNJF-3B HELICAL COIL INSERT
 PITCH ϕ .2123 X .320 MIN FULL THREAD
 .2103
 3 PLACES EQUALLY SPACED
 ϕ .010 H G
 MS21209F1-15 HELICAL COIL INSERT
 3 REQD FOR -11
 INSTALL INSERT .75-1.5 TURNS BELOW SURFACE
 REMOVE TANG



VIEW B-B SHEET 1
 -11 ASSY SHOWN
 80-481007-1 FLEX PLATE OMITTED FOR CLARITY



VIEW S-S
 -11 ASSY SHOWN
 80-481007-1 FLEX PLATE OMITTED FOR CLARITY

PRESSURE SYSTEMS, INC. LOS ANGELES, CALIFORNIA			
PROPELLANT TANK, OXIDIZER			
CAGE CODE 18229	SIZE E	DWG NO. 80481	REV. NC
SCALE: 1/1		SHEET 2 OF 2	