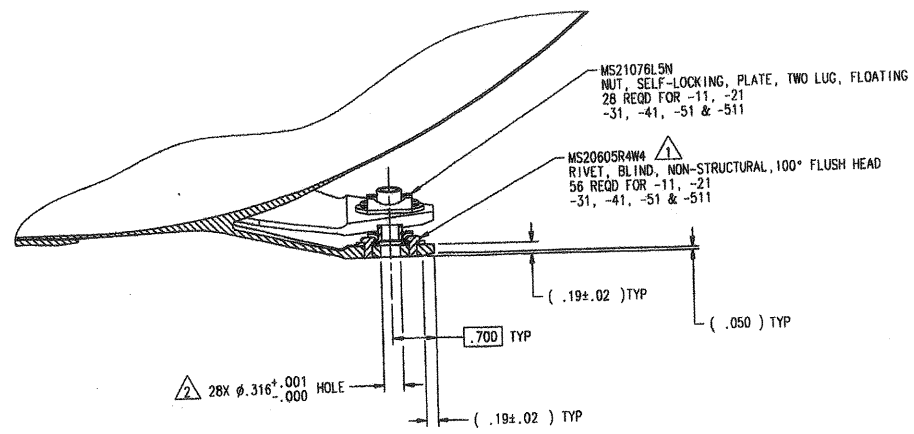


-5 AND -501 ASSY SHOWN

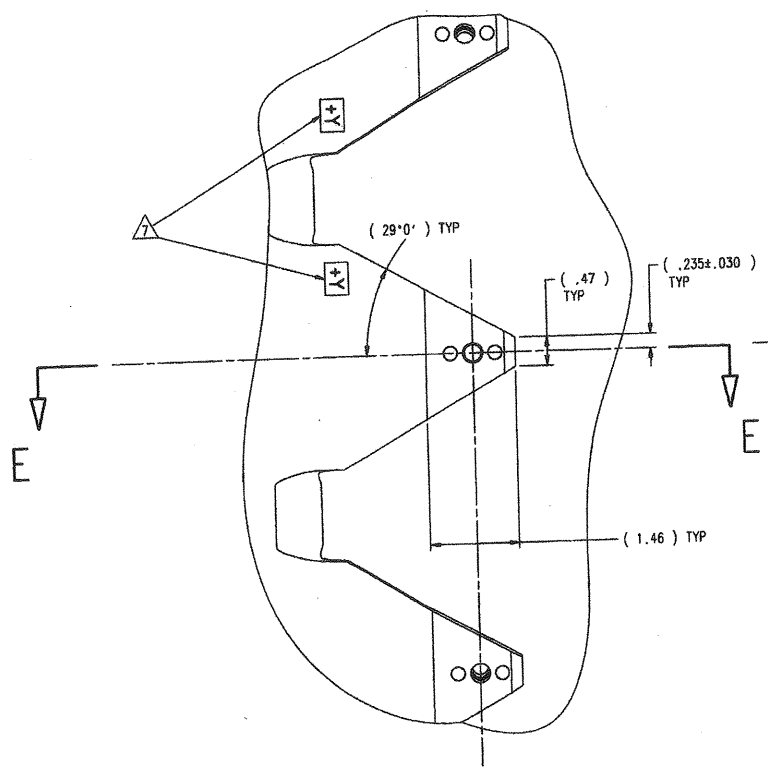
ATK SPACE SYSTEMS, INC.
LOS ANGELES, CALIFORNIA

PROPELLANT TANK ASSY - CENTER

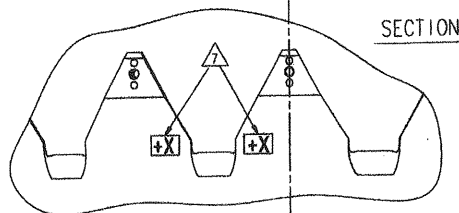
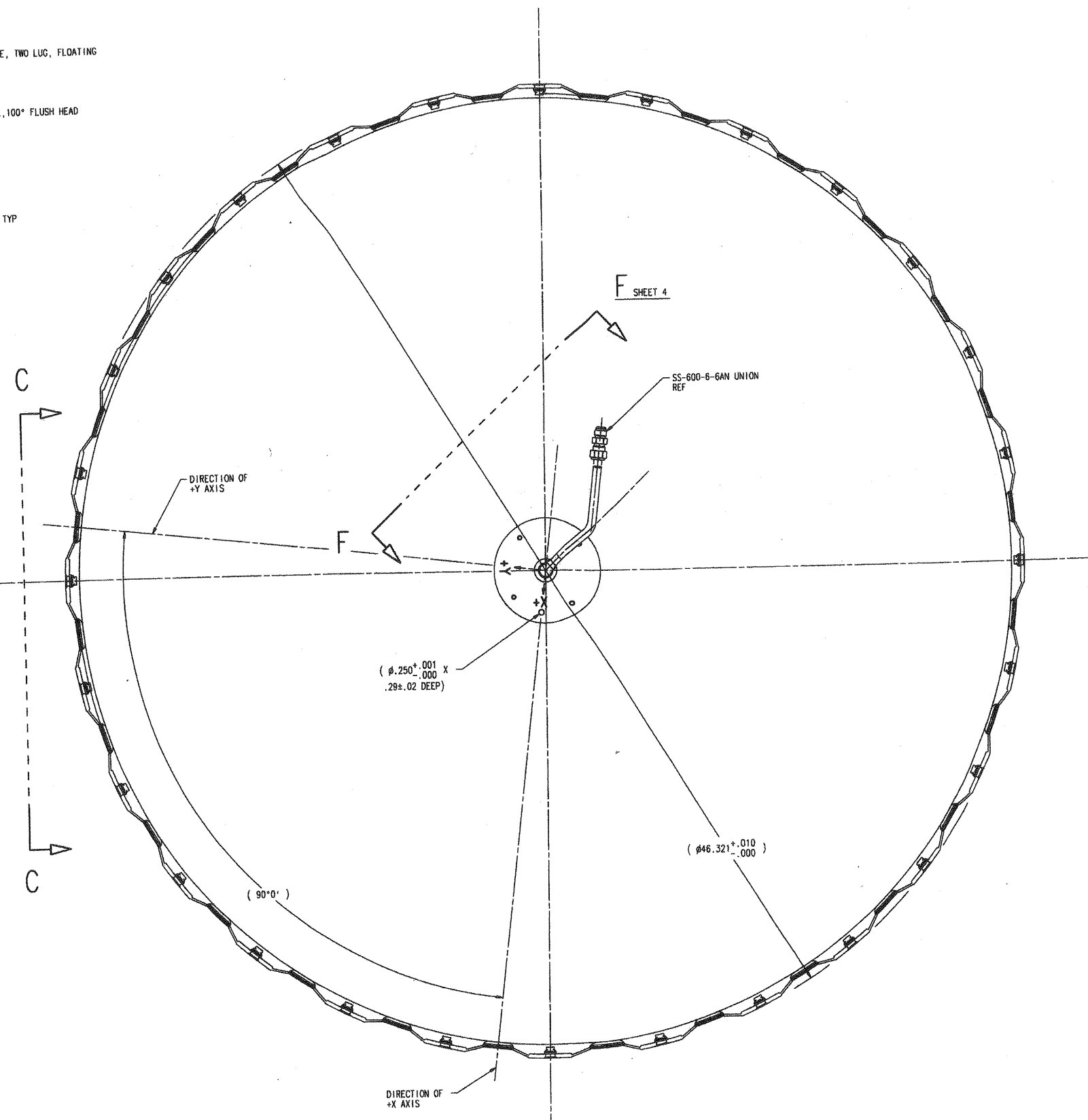
DATE CODE	SIZE	REV. NO.	REV.
18229	E	80507	B
SCALE: 1/2		SHEET 1 OF 4	



SECTION E-E
SCALE: 1/1

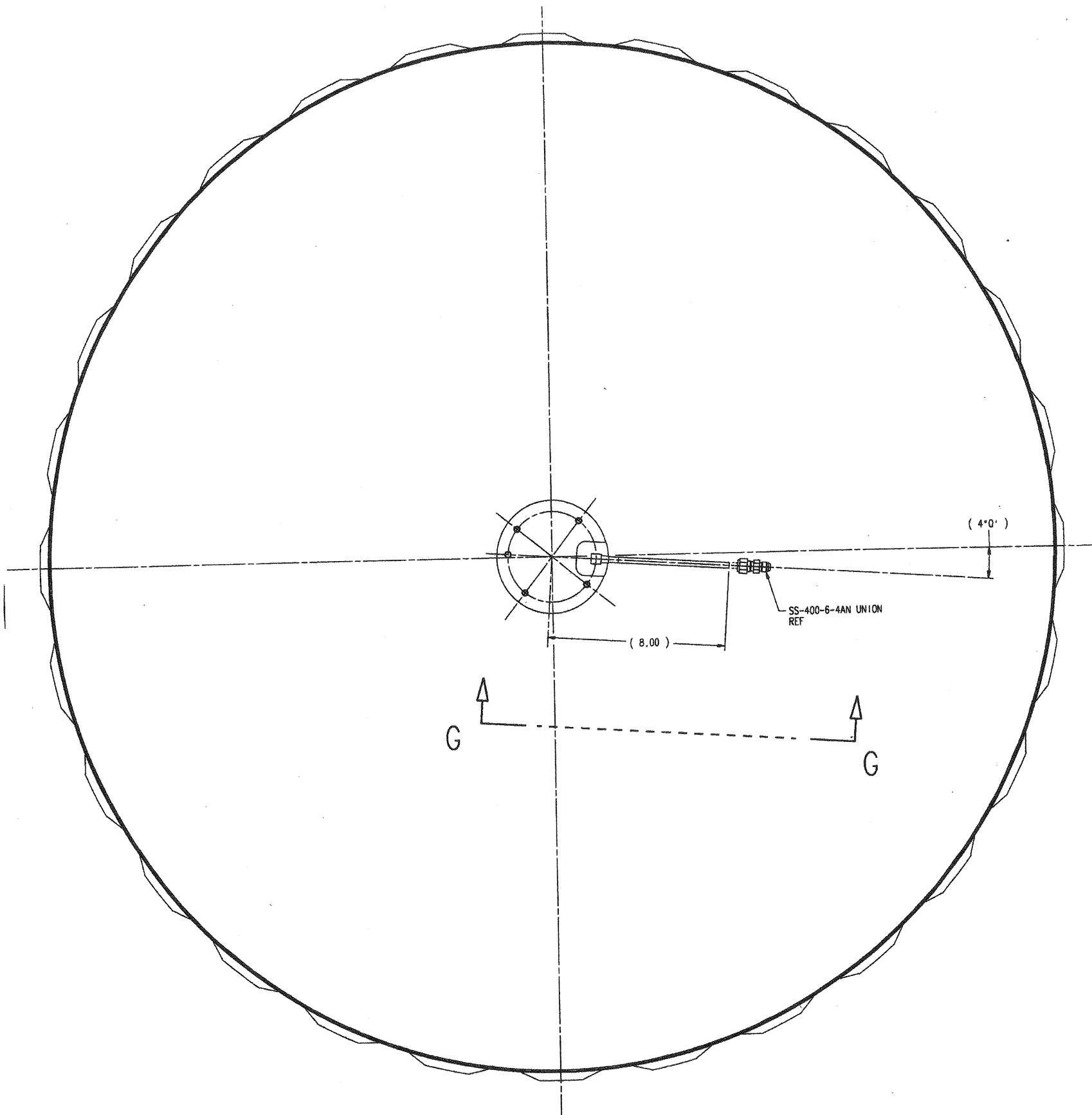


VIEW C-C
SCALE: 1/1

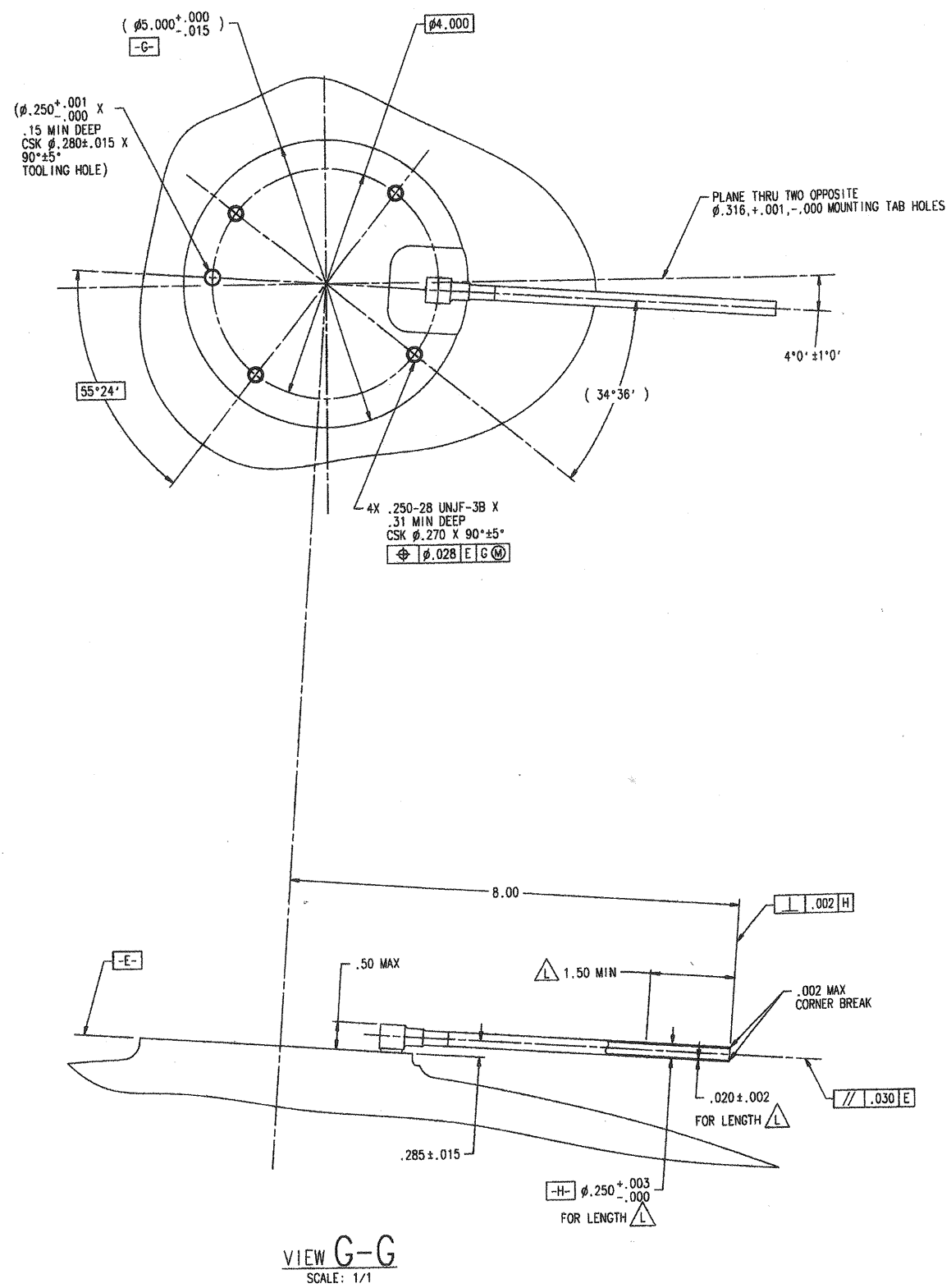


SECTION A-A SHEET 1

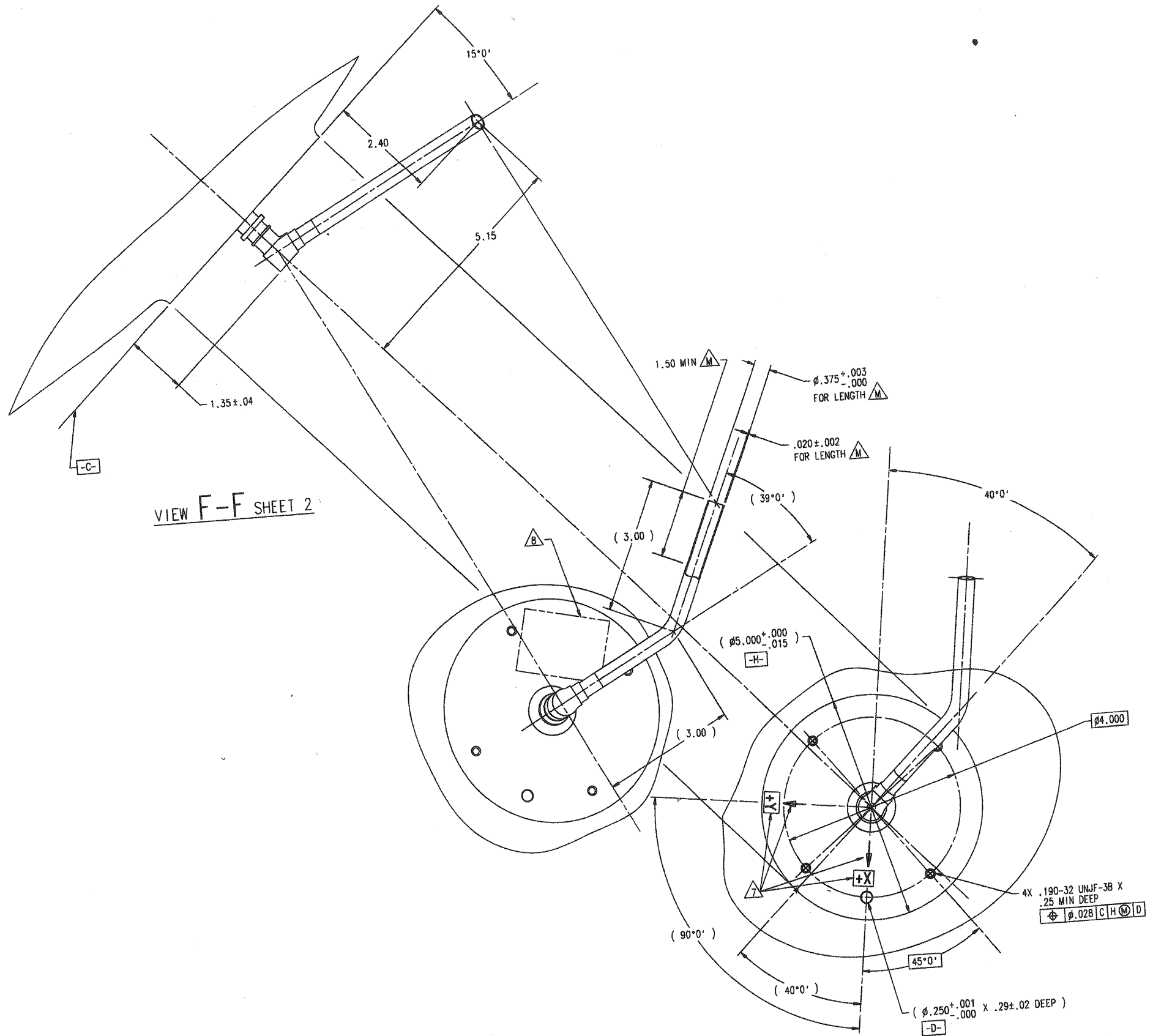
ATK SPACE SYSTEMS, INC. LOS ANGELES, CALIFORNIA			
PROPELLANT TANK ASSY - CENTER			
DATE CODE 18229	SIZE E	DWG NO. 80507	REV. B
SCALE: 1/2		SHEET 2 OF 4	



SECTION B-B SHEET 1



ATK SPACE SYSTEMS, INC.			
LOS ANGELES, CALIFORNIA			
PROPELLANT TANK ASSY - CENTER			
CAGE CODE	SIZE	ENG NO.	REV.
18229	E	80507	B
SCALE: 1/2	SHEET		3 OF 4



VIEW F-F SHEET 2

ATK SPACE SYSTEMS, INC.			
LOS ANGELES, CALIFORNIA			
PROPELLANT TANK ASSY - CENTER			
CAGE CODE	SIZE	ENG NO.	REV.
18229	E	80507	B
SCALE: 1/2		SHEET 4 OF 4	