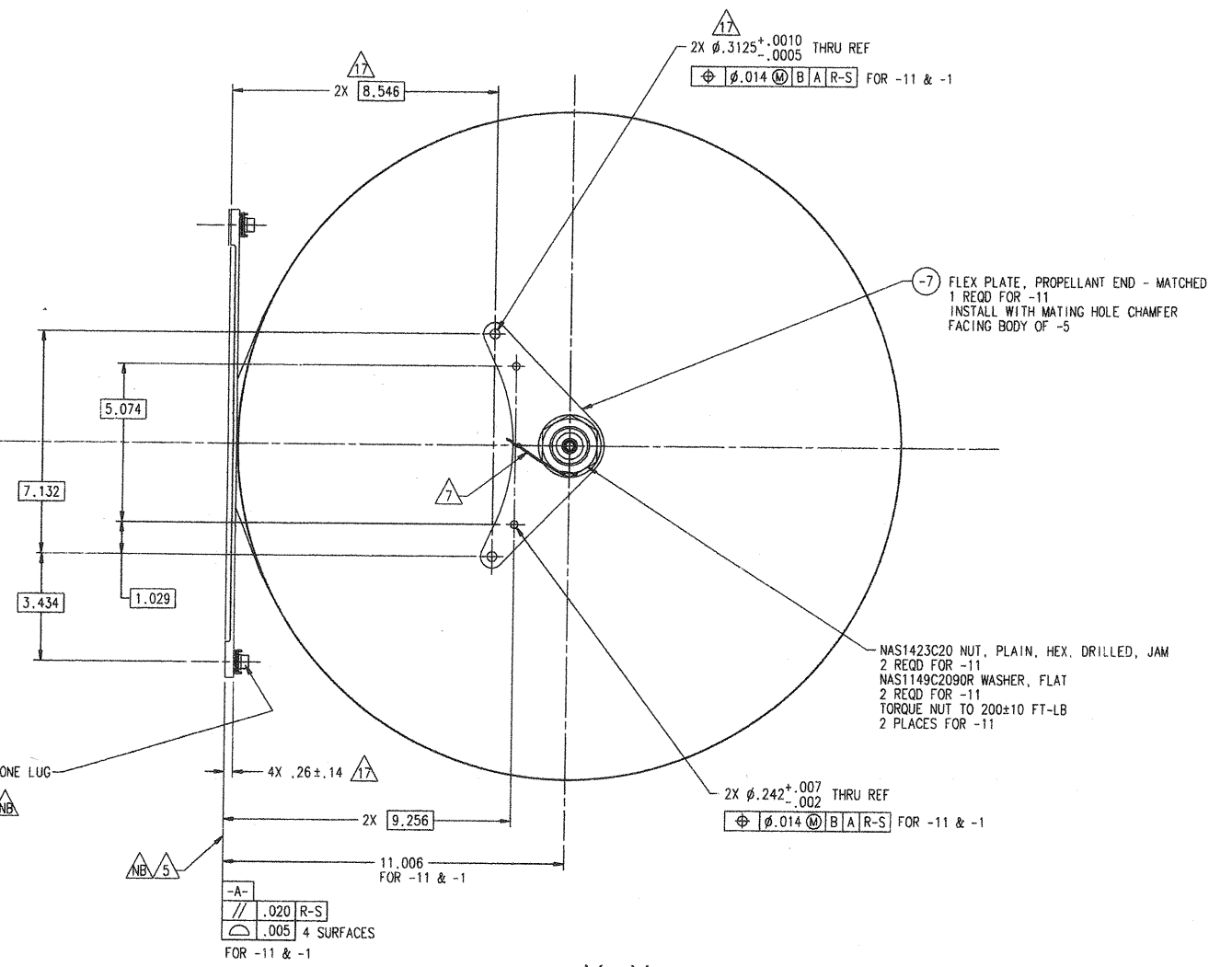
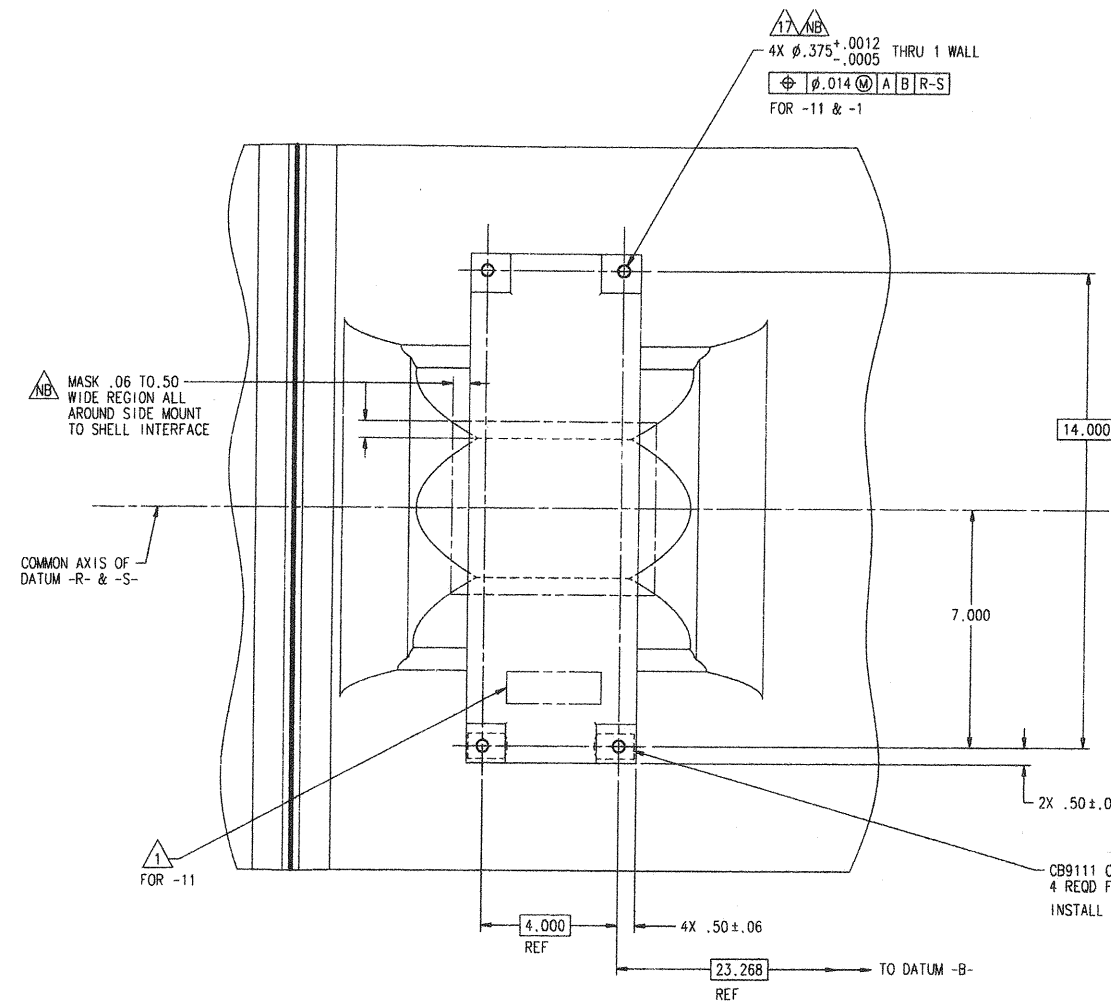
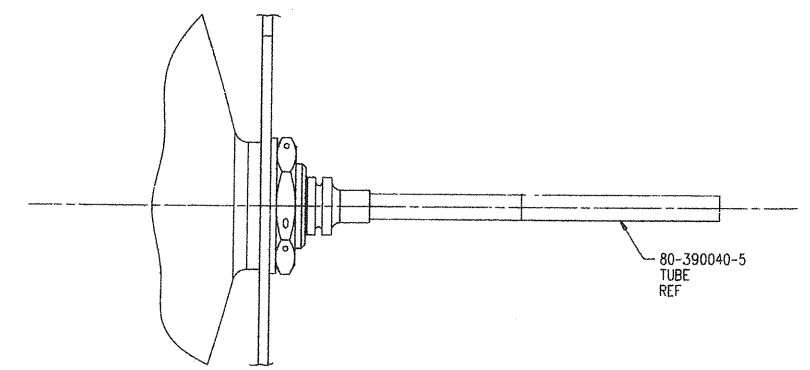
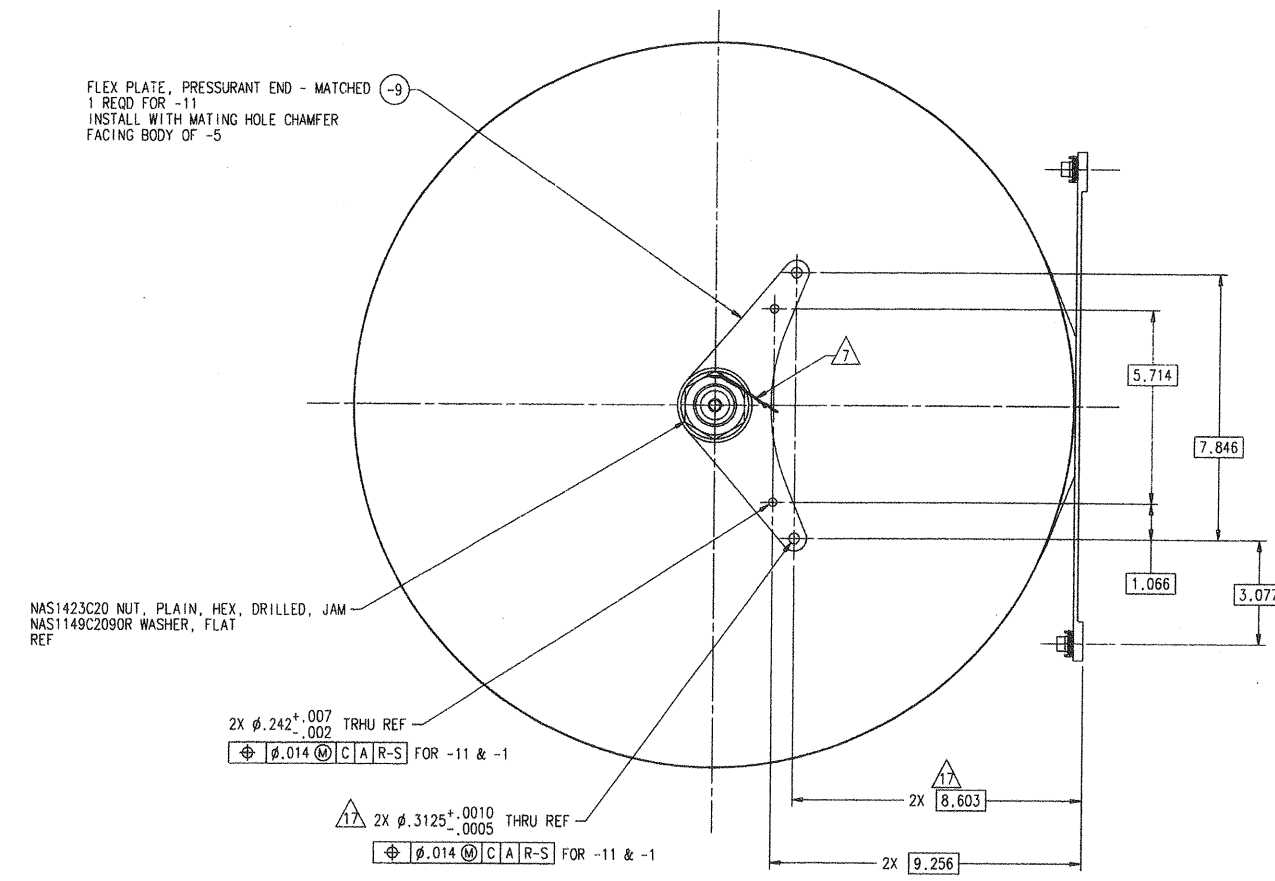


-11 & -1 ASSY

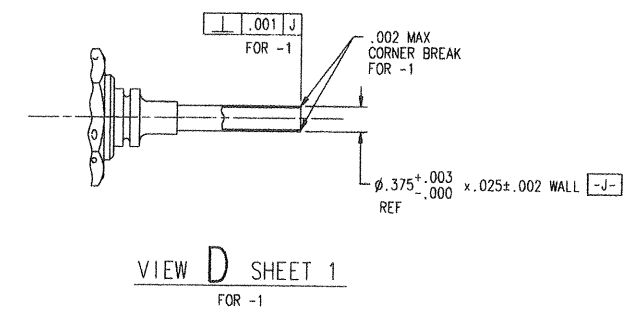
ATK SPACE SYSTEMS, INC.			
COMMERCE, CALIFORNIA			
PROPELLANT TANK ASSY			
OXIDIZER - GOES-R			
SIZE	CAGE CODE	DWG NO.	REV.
E	18229	80561	-
SCALE: 1/2			SHEET 1 OF 3



VIEW X-X SHEET 1



VIEW F SHEET 1
FOR -11

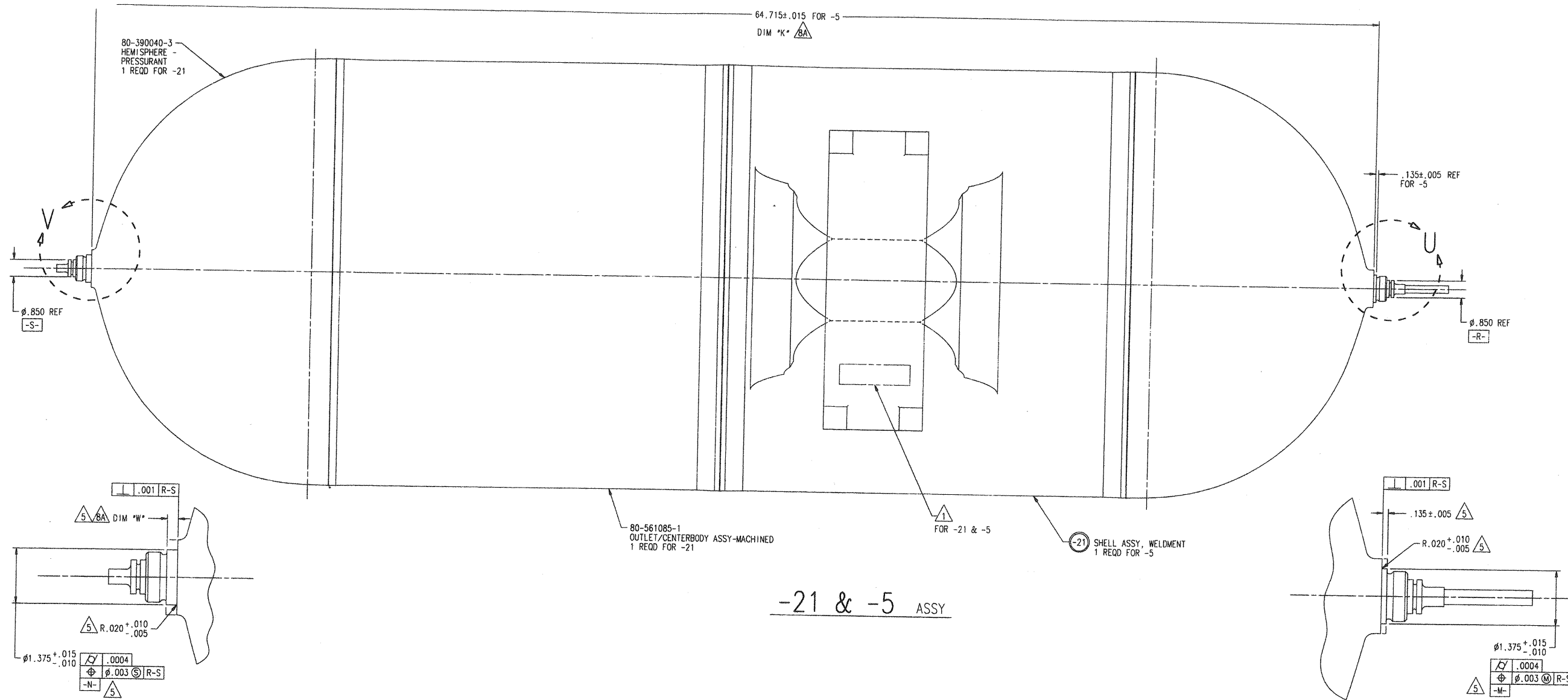


VIEW D SHEET 1
FOR -1

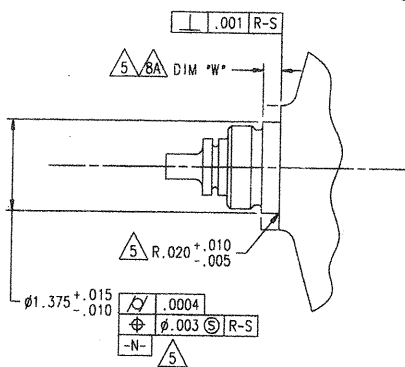
ATK SPACE SYSTEMS, INC.
COMMERCE, CALIFORNIA

PROPELLANT TANK ASSY
OXIDIZER - GOES-R

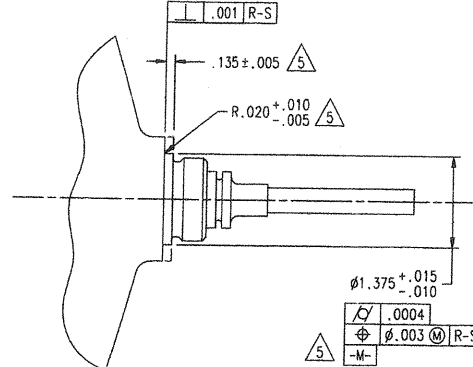
SIZE	CAGE CODE	DOC NO.	REV.
E	18229	80561	-
SCALE: 1/2	SHEET		2 OF 3



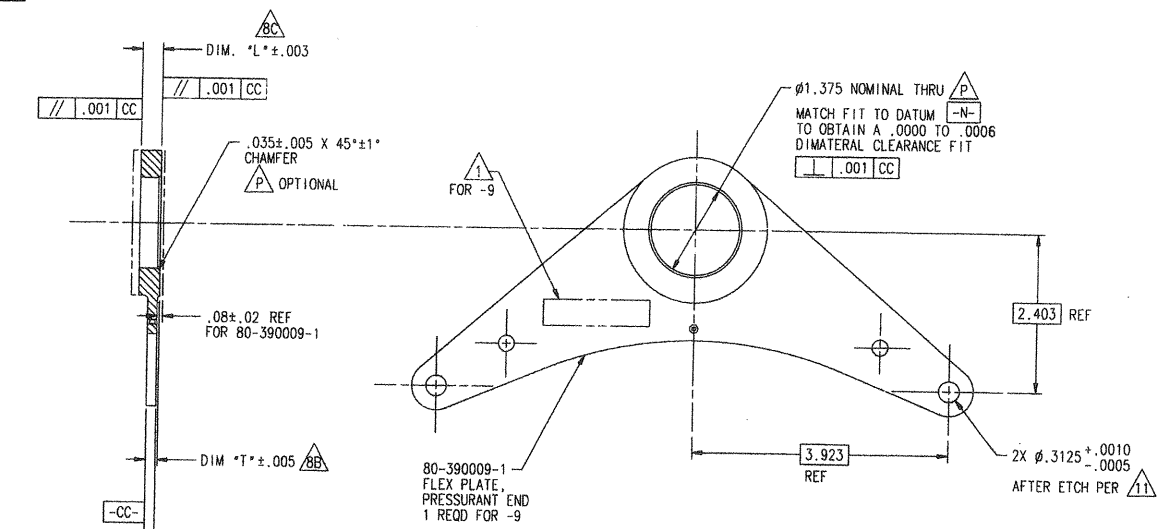
-21 & -5 ASSY



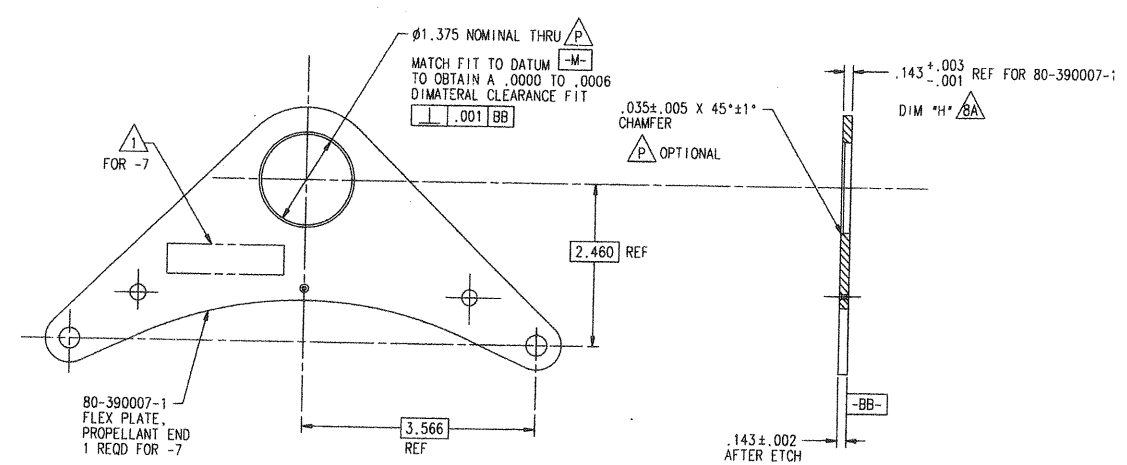
VIEW V FOR -5
SCALE: 1/1



VIEW U FOR -5
SCALE: 1/1



DETAIL -9
SCALE: 1/1



DETAIL -7
SCALE: 1/1

ATK SPACE SYSTEMS, INC.			
COMMERCE, CALIFORNIA			
PROPELLANT TANK ASSY			
OXIDIZER - GOES-R			
SIZE	CAGE CODE	QWG NO.	REV.
E	18229	80561	-