

# M230LF Chain Gun<sup>®</sup>

30mm Automatic Cannon

## FACT SHEET



M789 HEDP



M788 TP

### Highly Reliable System — Easily Integrated

The 30mm M230LF is a more capable version of the 30mm cannon featured on the Apache helicopter and is a member of the Chain Gun<sup>®</sup> family of externally powered, combat-reliable conventional automatic weapons. The M230LF boasts a DC drive motor with a firing rate of 200 rounds per minute. Other features include an anti-hangfire system, extended-length barrel for enhanced muzzle velocity and a delinking feeder that allows the use of linked ammunition. The M230LF is ideal for use on ground vehicles and patrol boats.

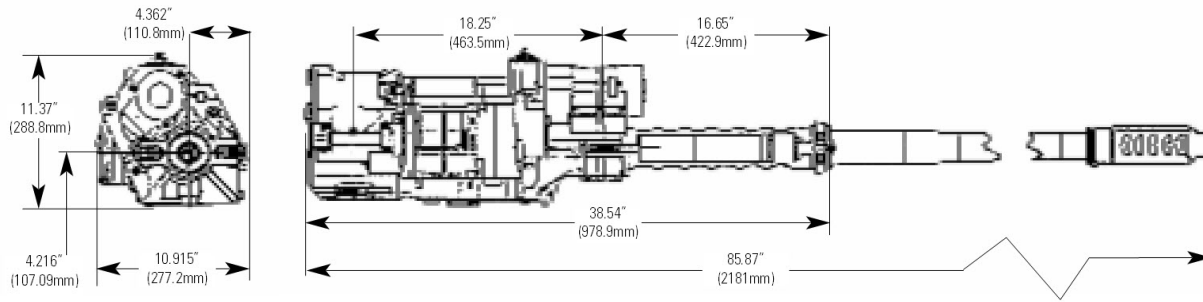
### FACTS AT A GLANCE

#### Features and Benefits

- Leverages the Apache's M230 fire superiority and reliability
- Air, ground or sea weapons platform applications
- Effective, lightweight, and easy to maintain
- Reliability of 22,000 mean rounds between failure
- Fires M789 HEDP, M788 TP and NATO standard 30mm ADEN/DEFA ammunition
- Multi-role, multi-target system capability
- Electronic round counting capability

# M230LF Chain Gun

## Dimensions



## Specs

Characteristics	Imperial	Metric
<b>Recoil</b>		
Ground Vehicle	6,300 lb	28,022 N
Naval	1,650 lb	7,339 N
<b>Weight*</b>		
Receiver	76 lb	34.5 kg
Feeder	39 lb	17.7 kg
Barrel	45 lb	20.4 kg
Total	160 lb	72.6 kg
Rate of Fire	Cyclic, 200 rounds per minute	
Power Required	1 horsepower	
Clearing Method	Cook off safe, open bolt	
Safety	Absolute hangfire protection	
Case Ejection	Side	

\*Includes gun barrel, drive motor, recoil system, and integral dual feeder

**For information contact:**  
Orbital ATK Armament Systems  
480-324-8600  
ArmamentSystems.BDev@orbitalatk.com