

M242 Bushmaster®

25mm Automatic Cannon

FACT SHEET



Battle-proven Performer

The 25mm Bushmaster® automatic cannon is a battle-proven performer featuring dual feed Chain Gun® technology. ATK Medium Caliber Systems has delivered more than 10,500 M242s to the U.S. Army and forces around the world. Its design simplicity, external power, round control, ease of maintenance and constant velocity ammunition feed make it the most reliable automatic cannon on the modern battlefield.

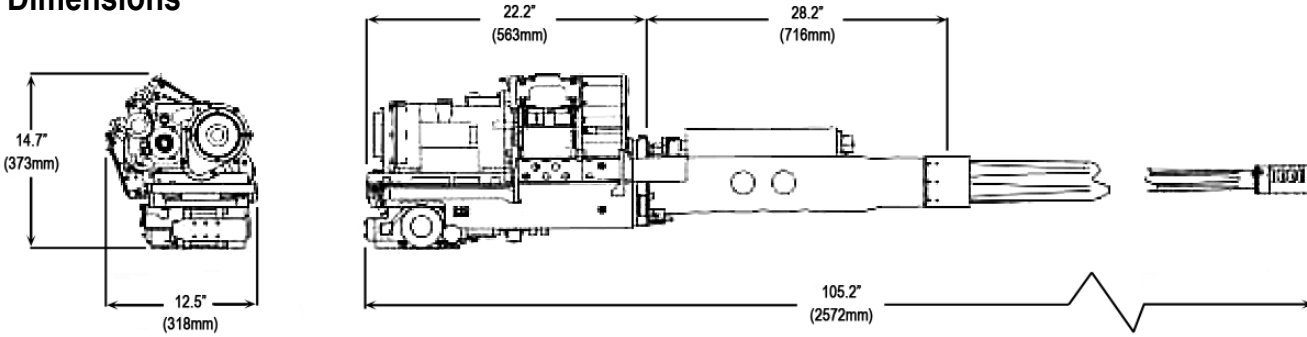
FACTS AT A GLANCE

Feature and Benefits

- Demonstrated reliability, accuracy and safe operation under all firing conditions
- Primary armament on the U.S. Army's Bradley Fighting Vehicle and the U.S. Marine Corp's Light Armored Vehicle
- Easily integrated with multiple variants
- Combat-proven system with multiple allied nations
- Operational success during Operations Desert Storm, Iraqi Freedom and Enduring Freedom
- Adapts to many naval applications
- Fires NATO Standard 25mm x 137mm ammunition
- Dual feed linked system

M242 Bushmaster

Dimensions



Specs

Characteristics	Imperial	Metric
Recoil	9,000 lb	40,032 N
Weight*		
Receiver	97 lb	44 kg
Feeder	58.5 lb	26.5 kg
Barrel	107 lb	48.5 kg
Total	262.5 lb	119.0 kg

Rate of Fire	Cyclic, 200 rounds per minute
Power Required	1 horsepower for 200 rounds per minute
Clearing Method	Cook off safe, open bolt
Safety	Absolute hangfire protection
Case Ejection	Forward

*Includes gun barrel, drive motor, recoil system, and integral dual feeder



M791
APDS-T



M792
HEI-T



M793
TP-T



M910
TPDS-T



PGU-32/U
SAPHEI-T

For information contact:
Orbital ATK Armament Systems
480-324-8600
ArmamentSystems.BDev@orbitalatk.com