

Bushmaster III



35mm Oerlikon
50mm Supershot



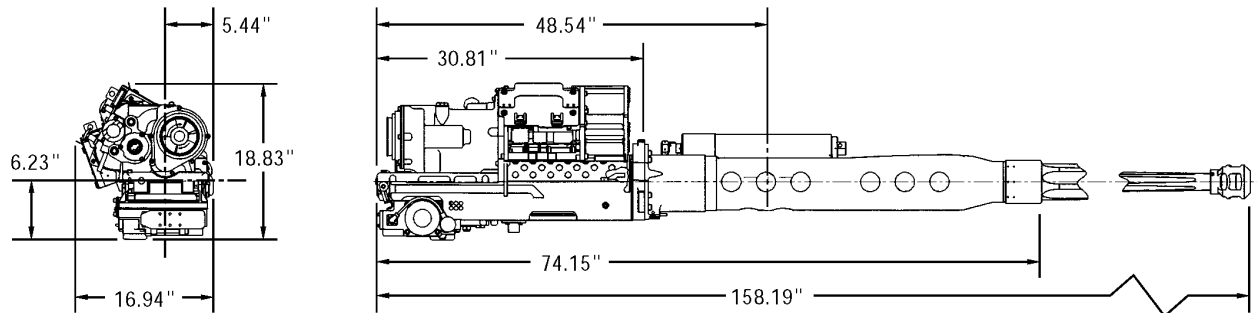
Automatic Cannon

The Bushmaster III automatic cannon is propelling Chain Gun® technology into the 21st century. The compact, cost-effective weapon is available today, yet has the devastating firepower that will be needed to defeat the threat of tomorrow. What's more, it incorporates all of the battle-proven features of the 25mm M242 Bushmaster cannon, with significant system commonality for low-risk, proven performance.

Key features and benefits include:

- Fires 35mm Oerlikon or 50mm Supershot ammunition
- Compact size facilitates easy upgrades of existing turrets
- Supports linked and linkless feed systems
- Proven safety, reliability and low life cycle costs
- Dual feed system

Dimensions

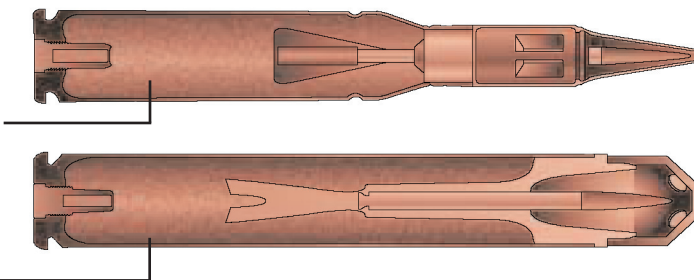


35mm Oerlikon

Used by 30 Countries. Load & Pack in 6 Countries.

50mm Supershot

In Development for Future Threat.



Characteristics	35mm	50mm
Recoil	14,000 lb / 62,272 N	
Weight*		
Receiver	150 lb/68 kg	150 lb/68 kg
Feeder	80 lb/36 kg	80 lb/36 kg
Barrel	250 lb/113 kg	280 lb/127 kg
Total	480 lb/218 kg	510 lb/231 kg
Rate of Fire	Semi-automatic or 200 spm	
Power Required	3 horsepower at 24 volts	
Clearing Method	Open bolt	
Safety	Absolute hangfire protection	
Case Ejection	Forward	

*Includes gun barrel, drive motor, recoil system and integral dual feeder.

For information contact:

Orbital ATK Armament Systems
 3309 N. Reseda Circle
 Mesa, AZ 85215 USA
 Phone: 480-324-8600
 email: ArmamentSystems.BDev@atk.com

108380_01
 Approved for Public Release 02-S-2474