

Mk44 Bushmaster® Automatic Cannon

30mm/40mm Chain Gun

FACT SHEET



Next Generation Chain Gun

The 30mm/40mm Mk44 Bushmaster® Automatic Cannon is a next-generation Chain Gun® weapon available and in use today. It continues the Bushmaster tradition of excellence with its design simplicity, external power, positive round control, ease of maintenance, and constant velocity ammunition feed. What's more, it incorporates all of the battle-proven features of the 25mm M242 Bushmaster cannon, with significant system commonality for low-risk, proven performance.

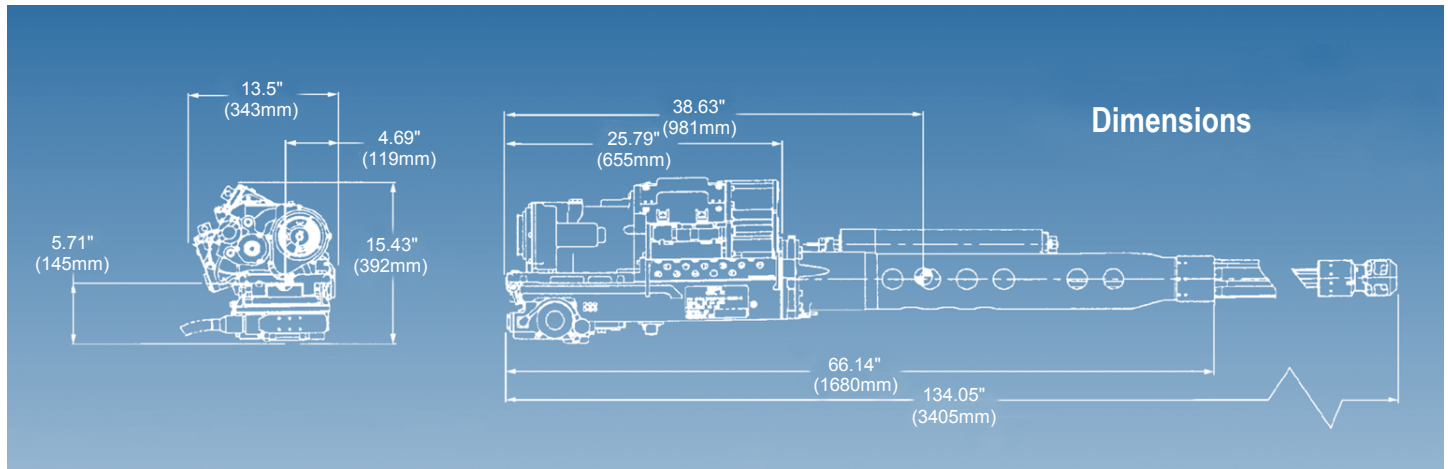
Mk44 Bushmaster® Automatic Cannon configurations fires all 30mm x 173mm, 30mm x 170mm Rarden & KCB ammunition. Orbital ATK offers a simple and cost effective upgrade to 40mm Super Forty and/or airburst munition capability.

FACTS AT A GLANCE

Features and Benefits

- Growth version of 25mm M242 cannon
- 60 percent logistics commonality with M242; 90 percent operator and maintenance training commonality
- Compact size and weight facilitates easy upgrades of existing turrets
- Reliability, safety, low life cycle costs
- Dual feed system
- Forward ejection case
- Open bolt clearing method

Mk44 Bushmaster® Automatic Cannon



Specs

| Characteristics | Imperial | Metric |
|-----------------|-------------------------|----------|
| Recoil | 8,000 lb | 35,584 N |
| Weight* | | |
| Receiver | 122 lb | 55.3 kg |
| Feeder | 69 lb | 31.3 kg |
| Barrel | 153 lb | 69.4 kg |
| Total | 344 lb | 156 kg |
| Rate of Fire | Semi-automatic, 200 spm | |
| Power Required | 1.0 HP @ 24 VDC | |
| Clearing Method | Open bolt | |
| Safety | Anti-hangfire safety | |
| Case Ejection | Forward | |

*Includes gun barrel, drive motor, recoil system, and integral dual feeder

For information contact:
Orbital ATK Armament Systems
480-324-8600
ArmamentSystems.BDev@orbitalatk.com